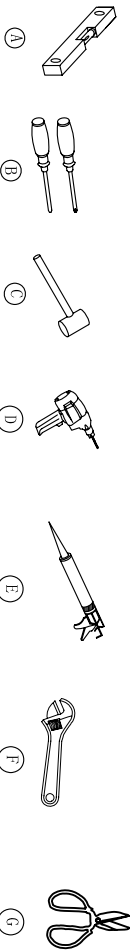
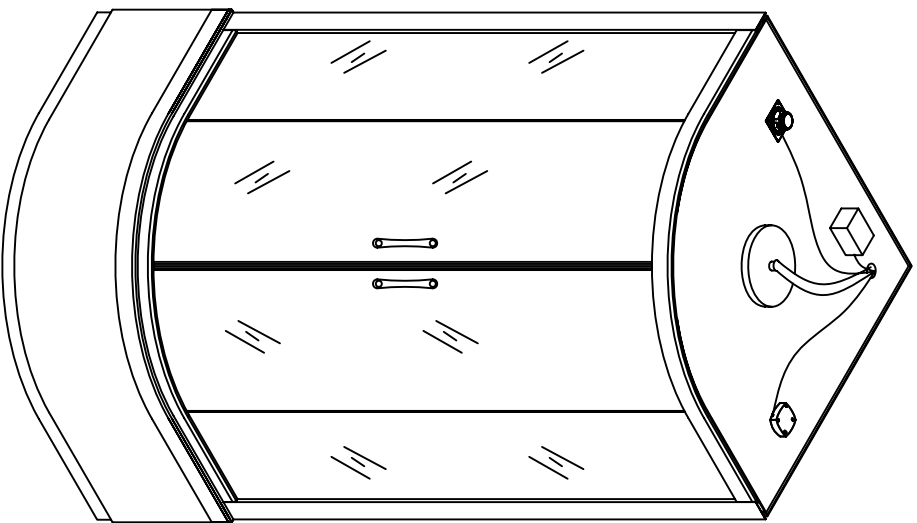
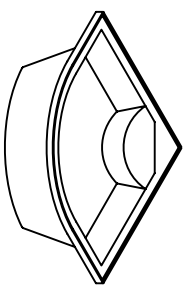


# SV3339

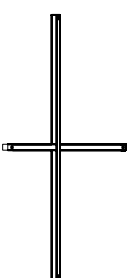


1/6

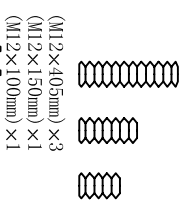


[1]×1

2/6

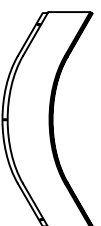


[2]×1



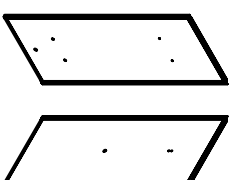
[3]

3/6



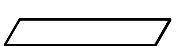
[4]×1

4/6

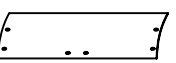


[6]×2

5/6



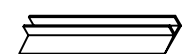
[7]×2



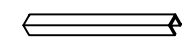
[8]×2



[9]×2 (1530mm)



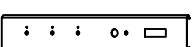
[10]×4



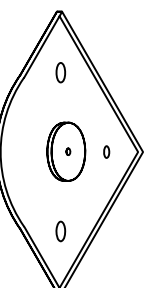
[11]×2



[12]×2 (1530mm)



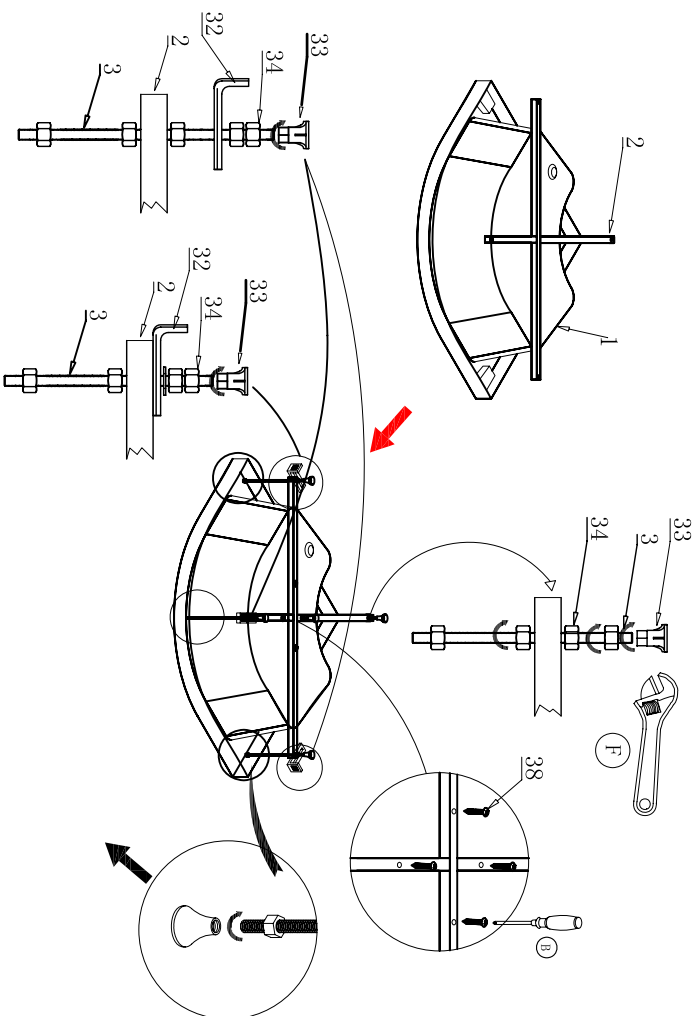
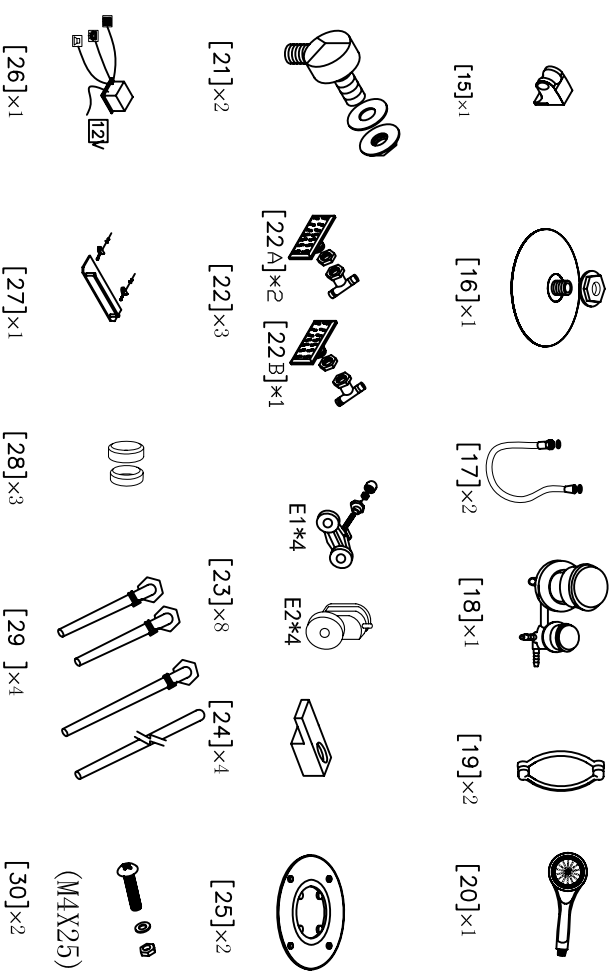
[13]×1



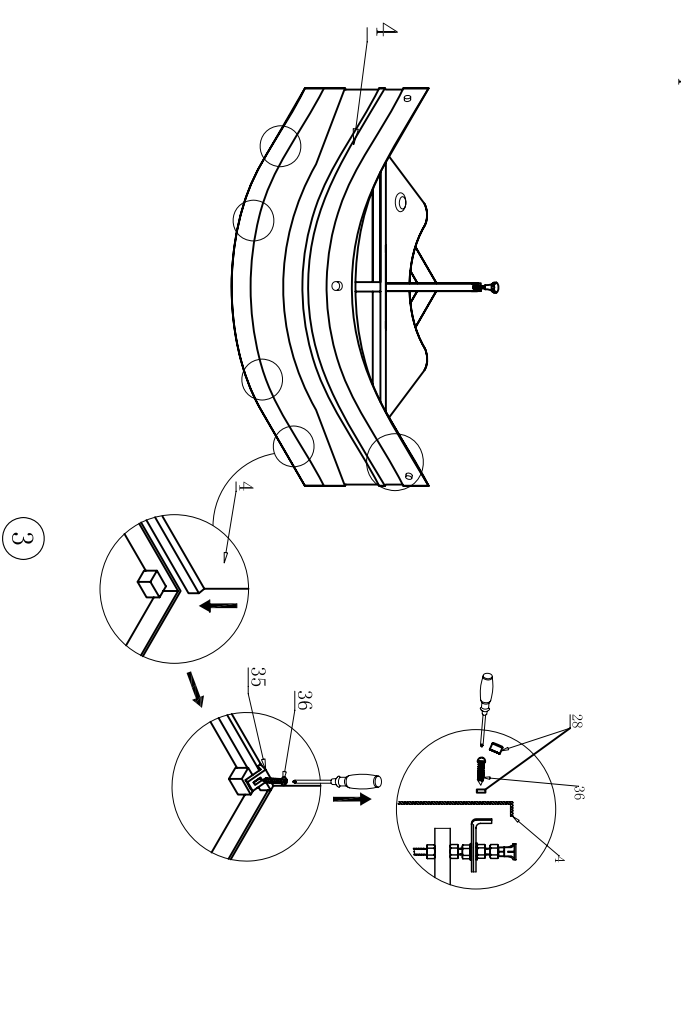
[14]×1

1

step1:

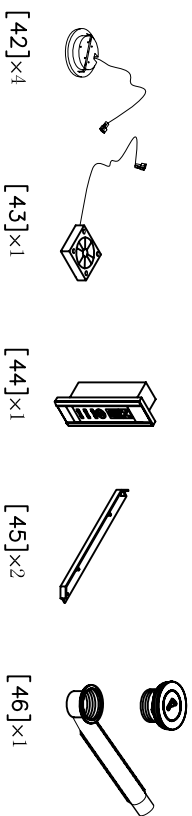


step2:

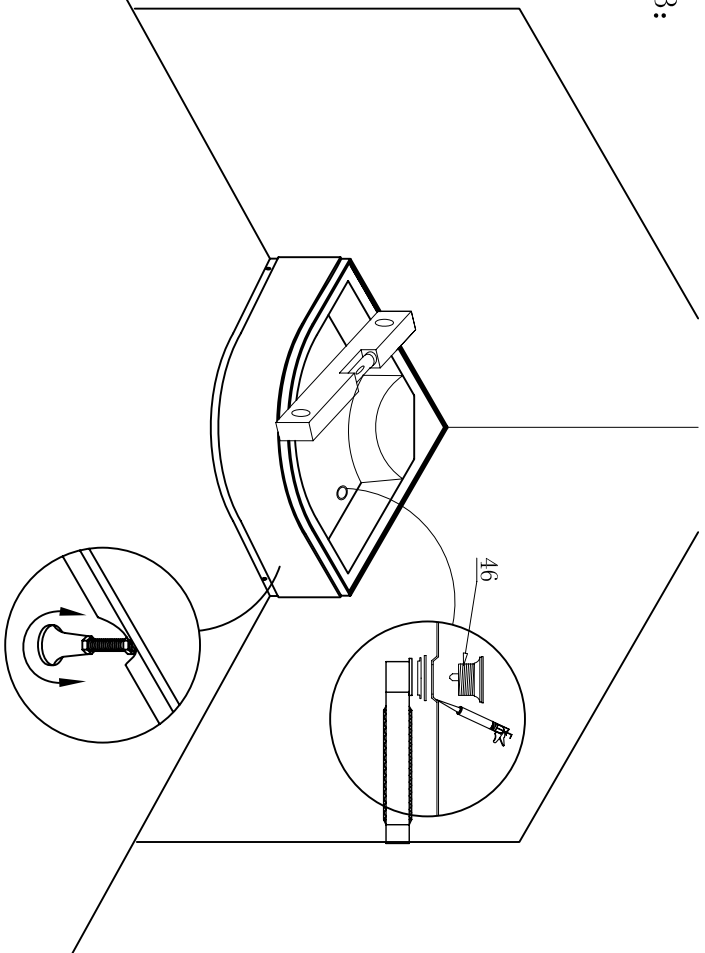


2

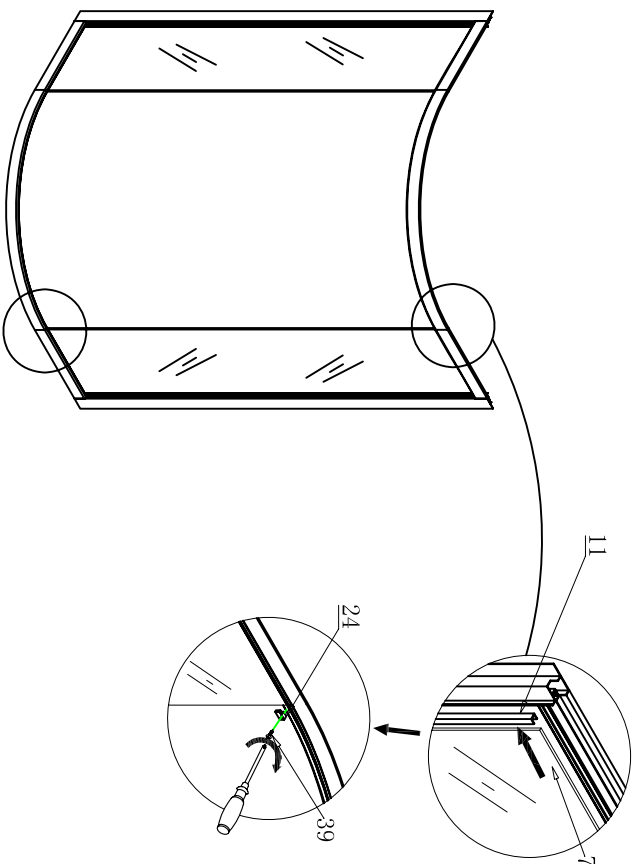
3



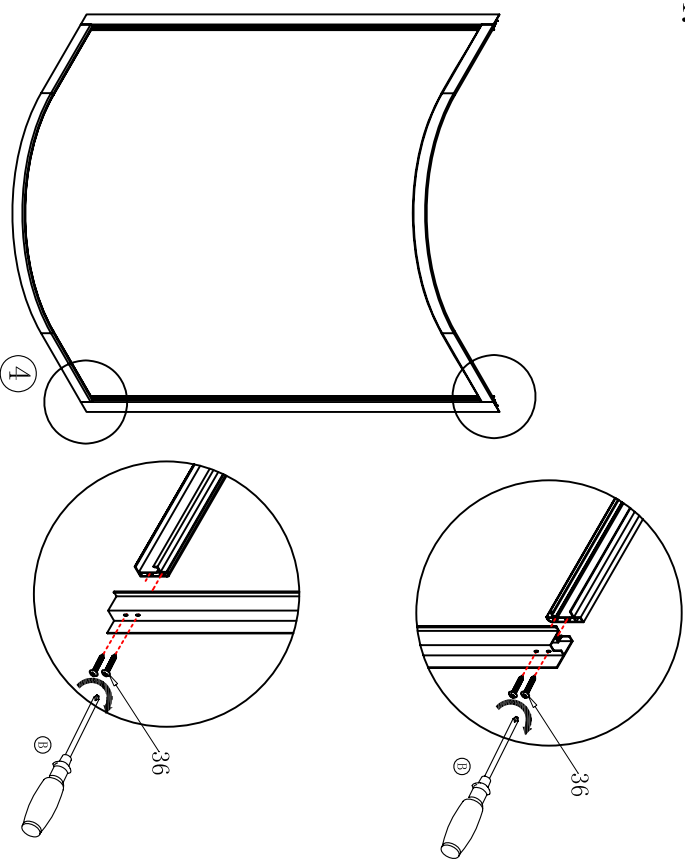
step3:



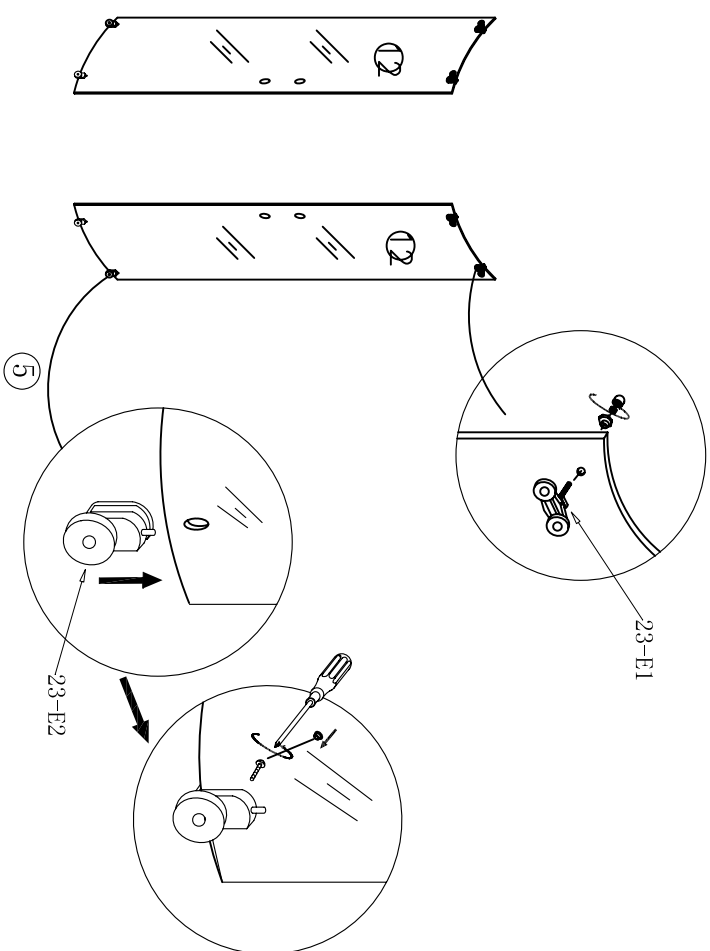
step5:



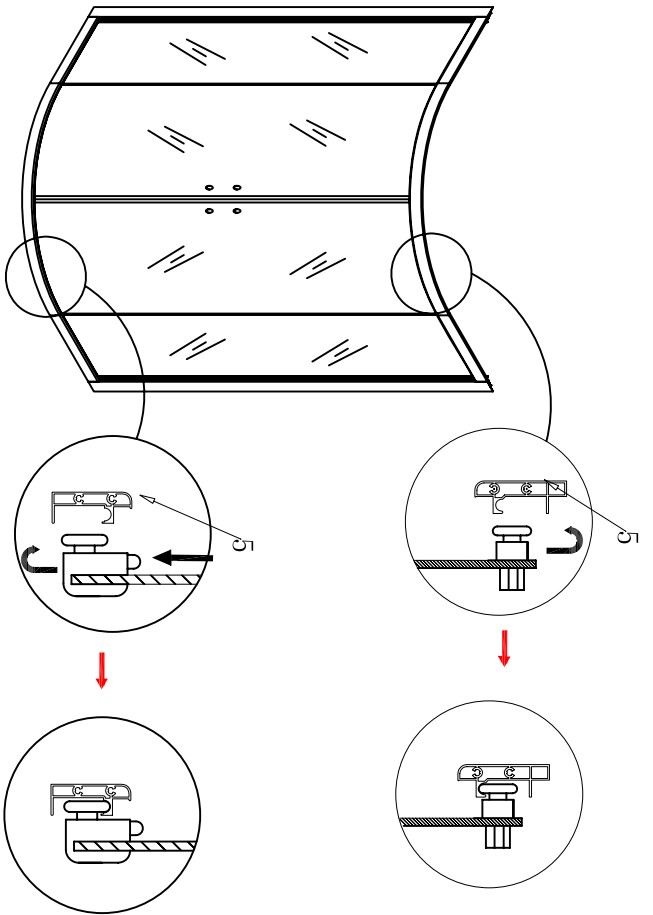
step4:



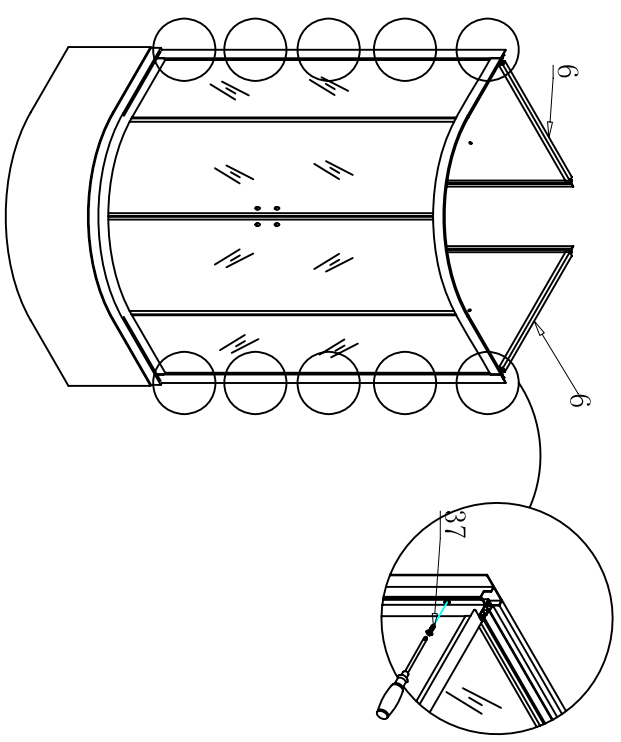
step6:



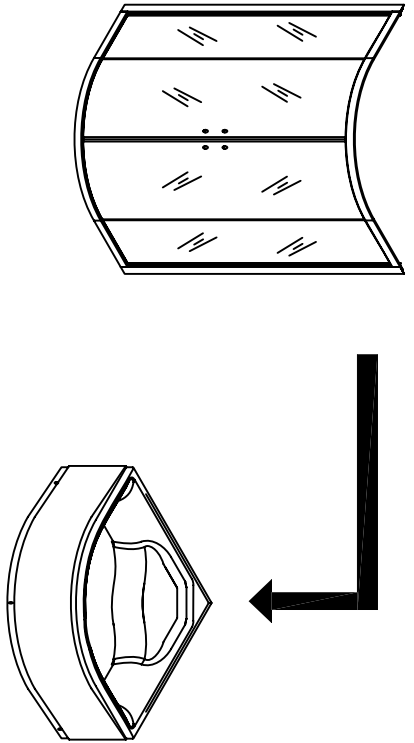
step7:



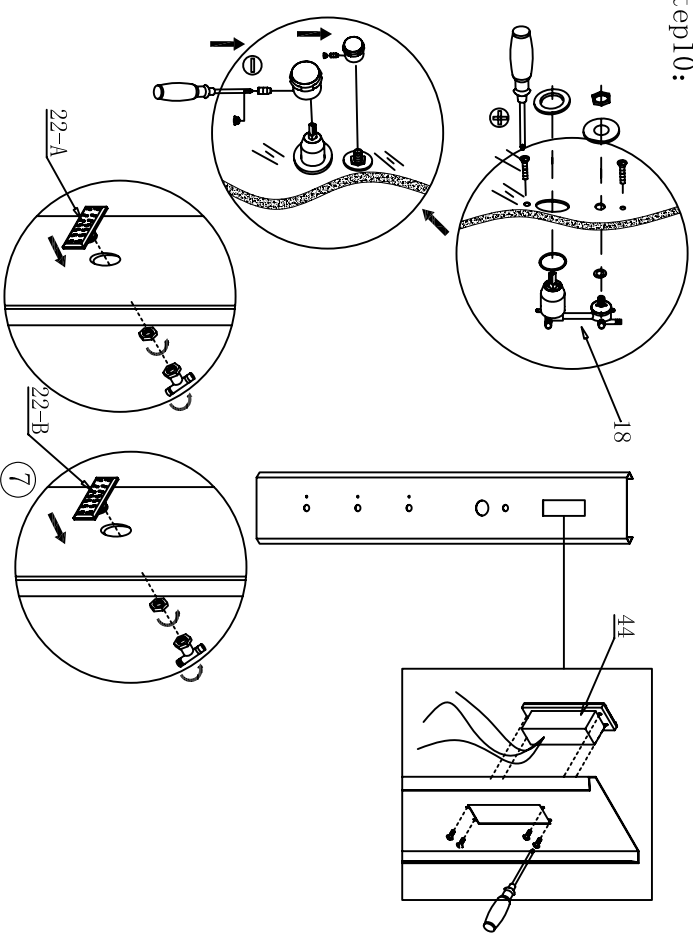
step9:



step8:



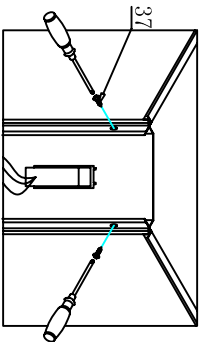
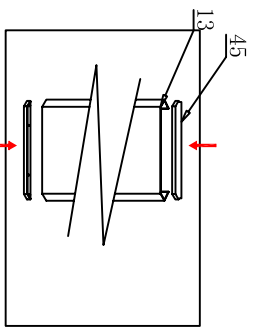
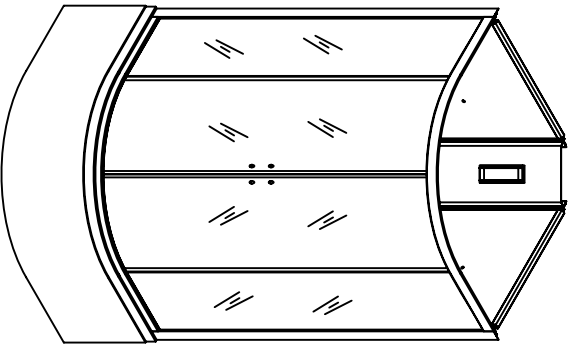
step10:



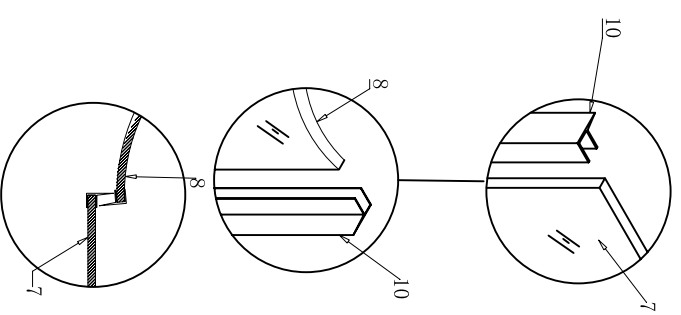
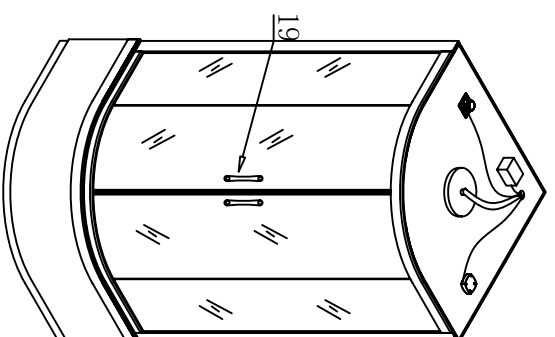
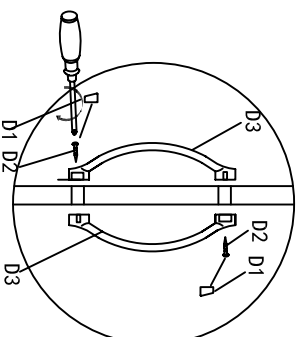
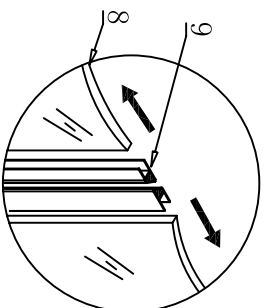
6

7

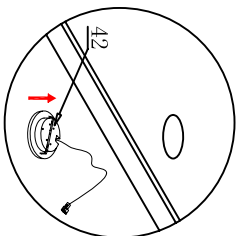
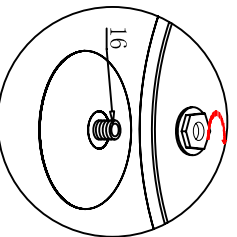
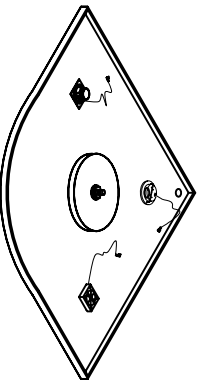
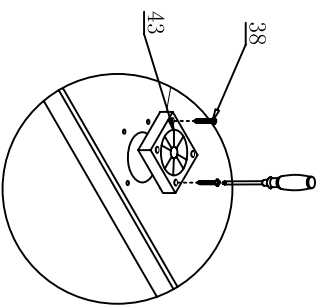
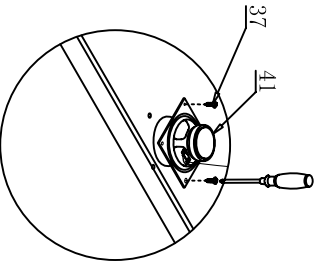
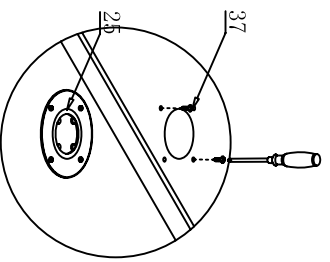
step11:



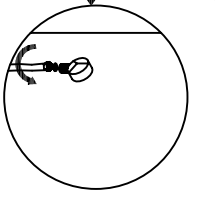
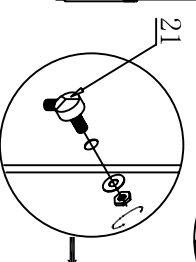
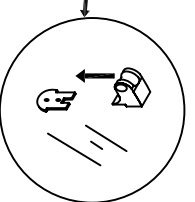
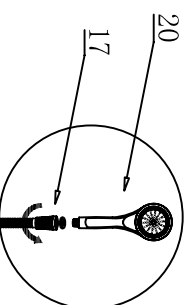
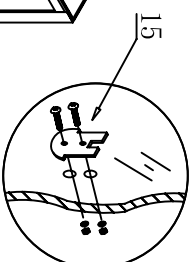
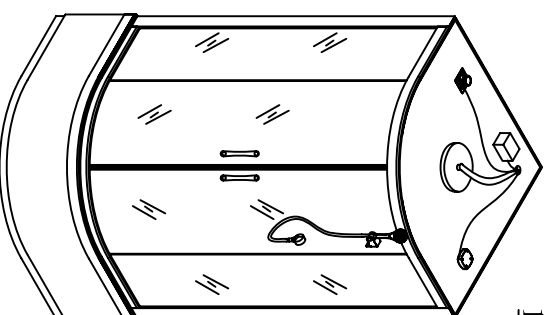
step13:



step12:



step14:



⑧

⑨

