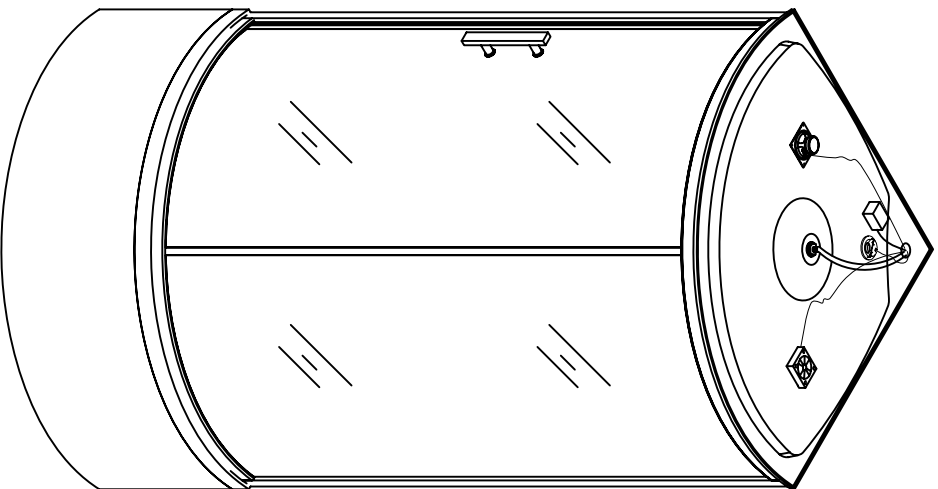
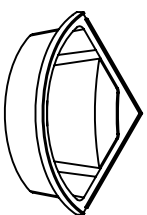


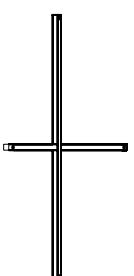
GM-8108SV GM-428SV



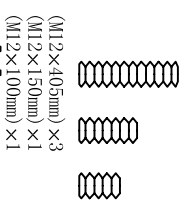
- A
- B
- C
- D
- E
- F
- G



[1]×1



[2]×1



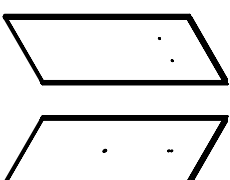
[3]



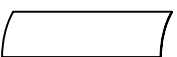
[4]×1



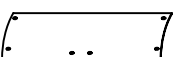
[5]×2



[6]×2



[7]×1



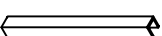
[8]×1



[9]×1



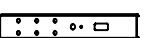
[10]×1



[11]×2



[12]×2



[13]×1



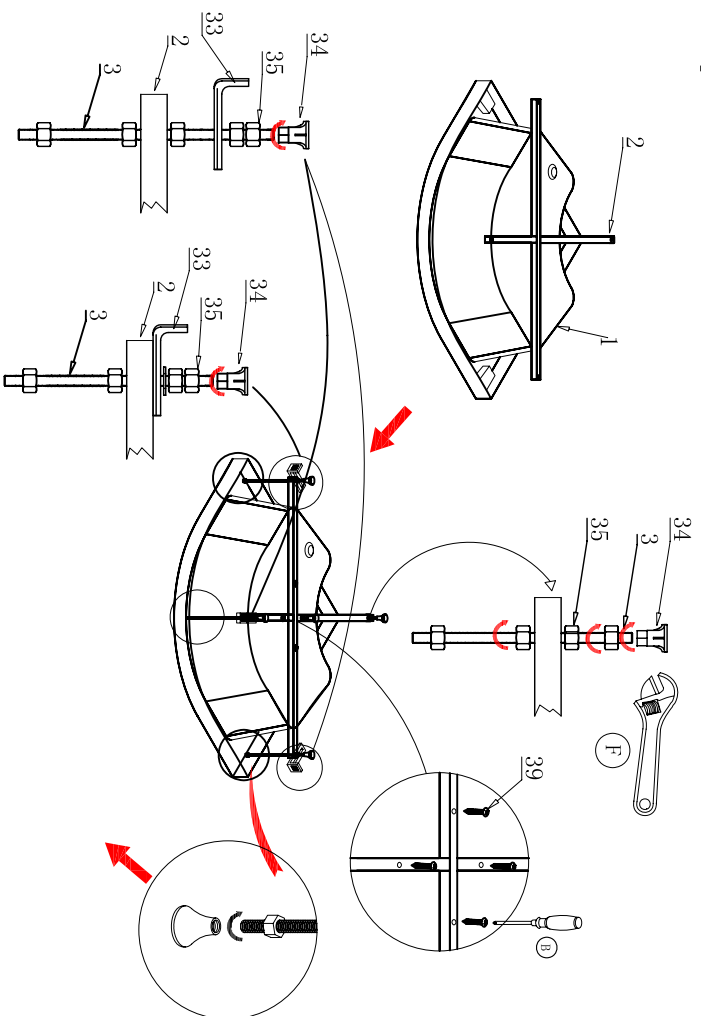
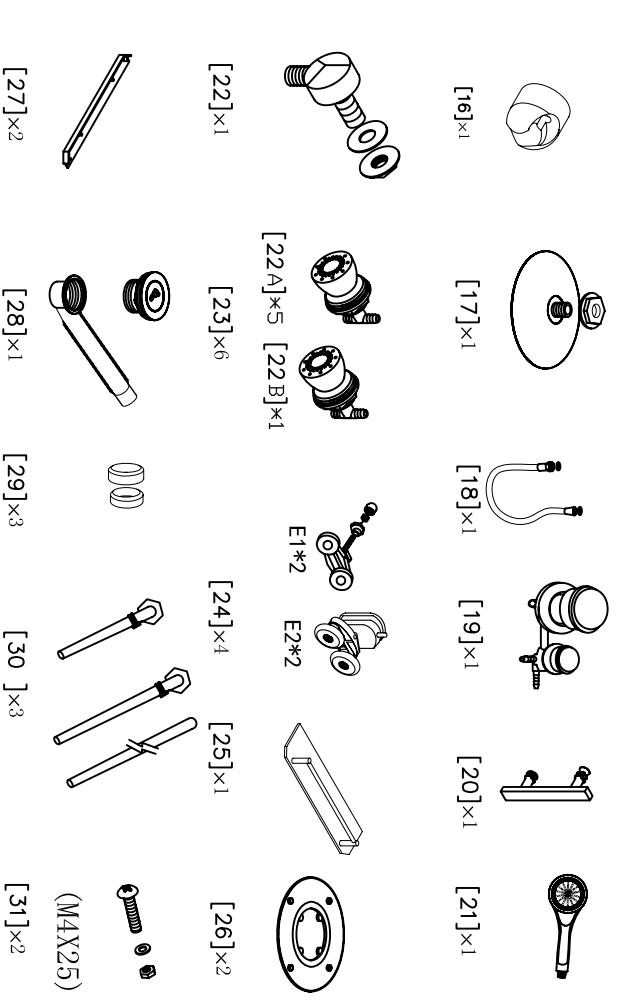
[14]×1



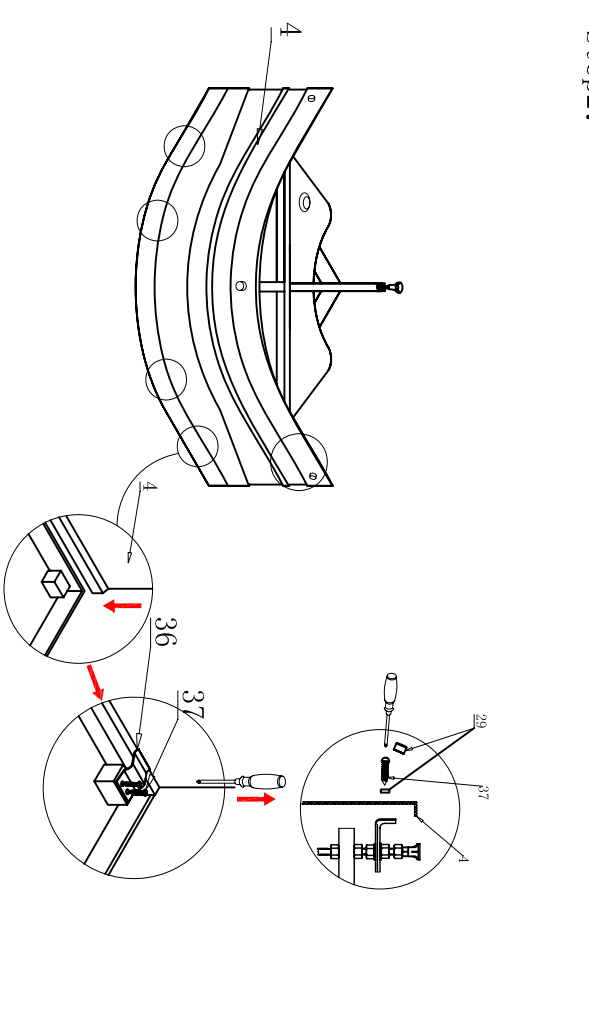
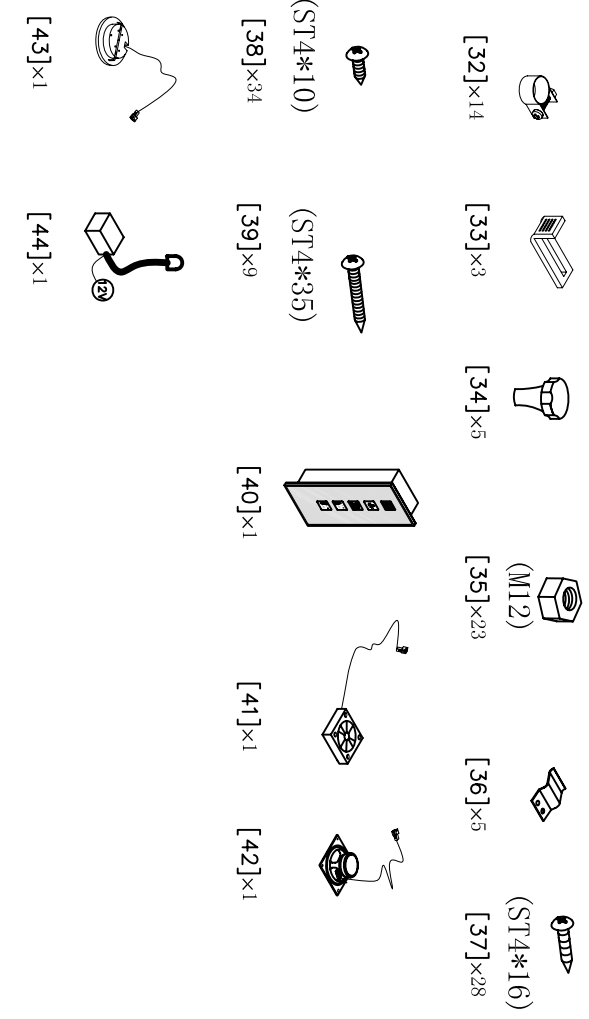
[15]×1

I

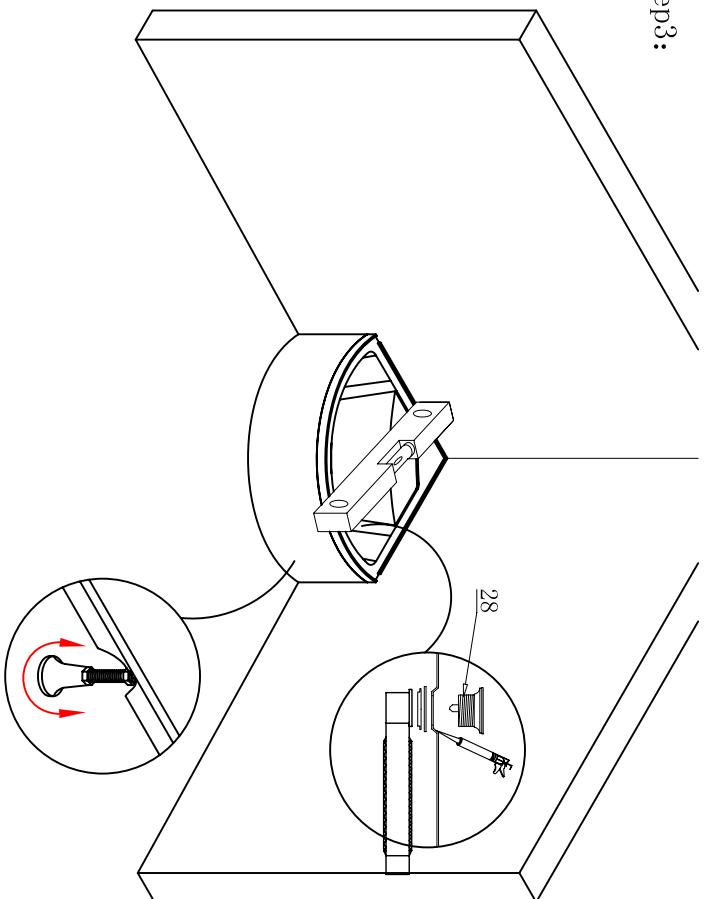
step1:



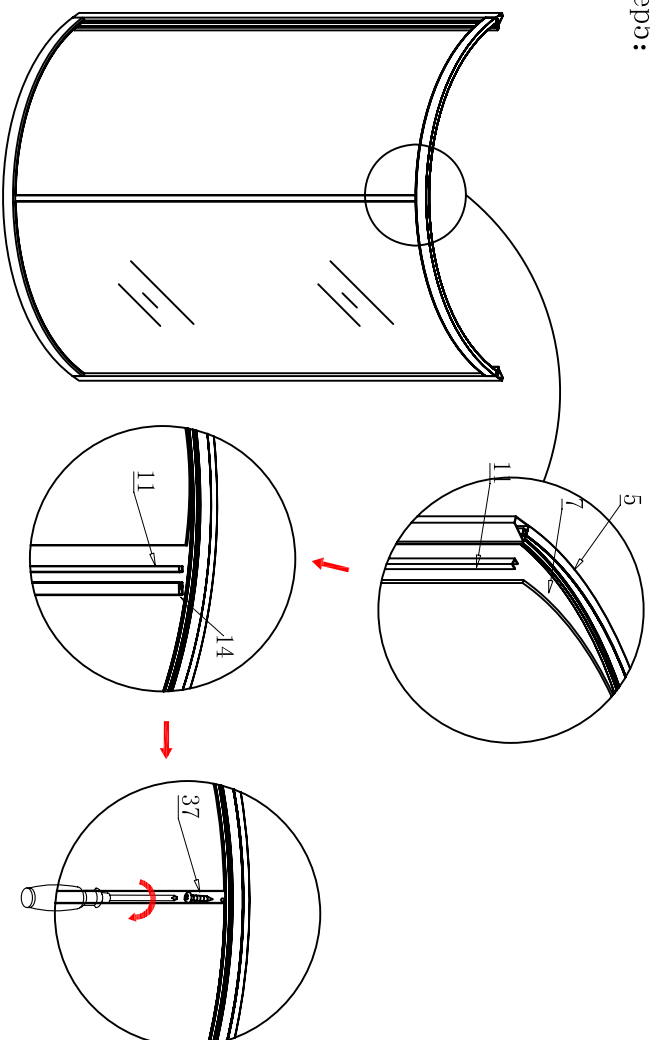
step2:



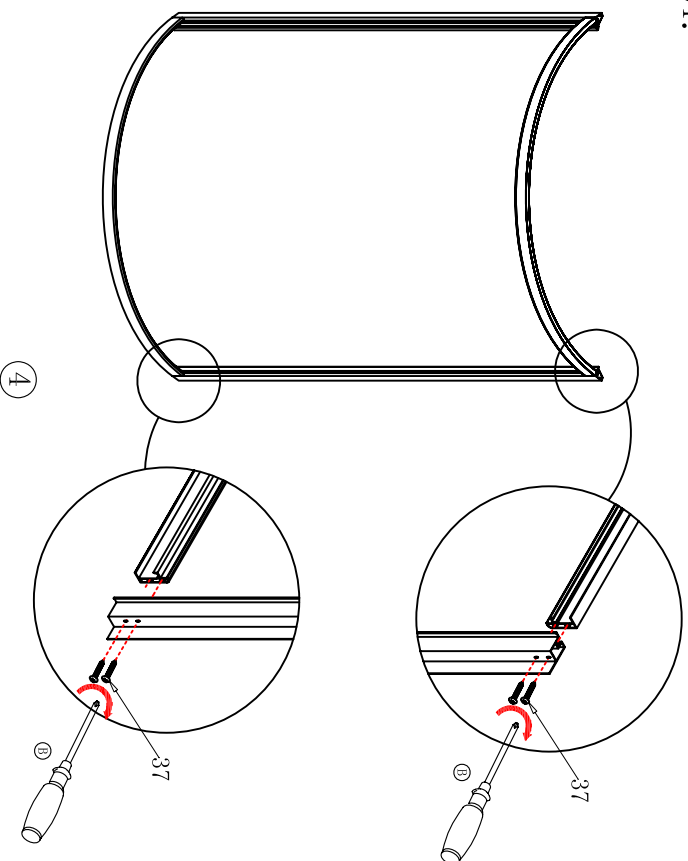
step3:



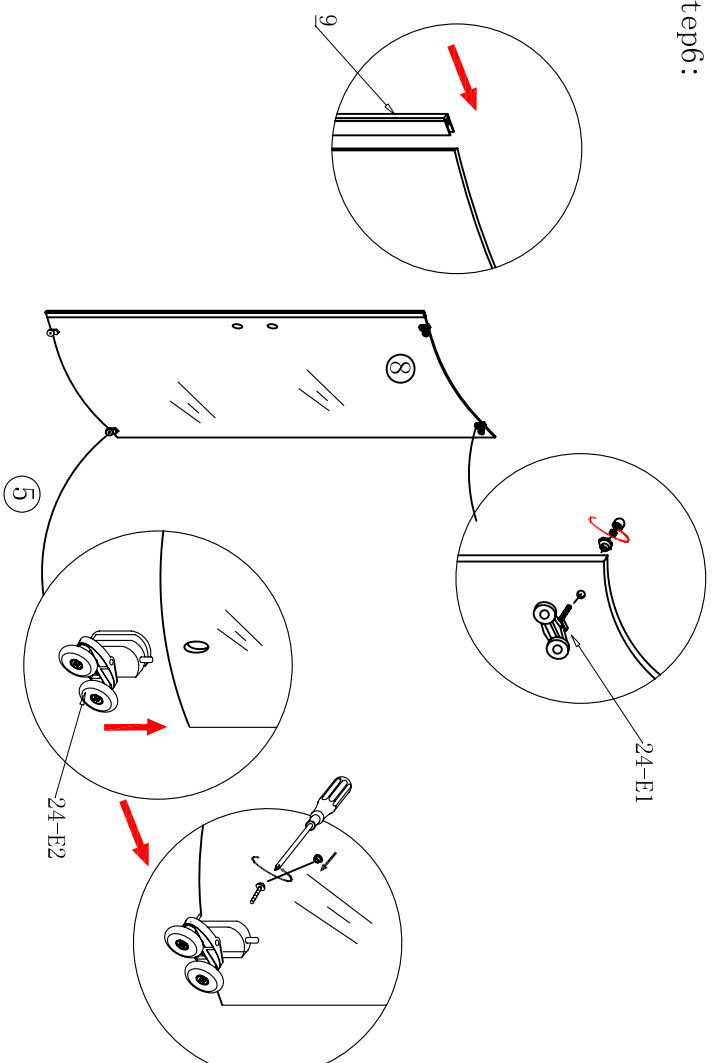
step5:



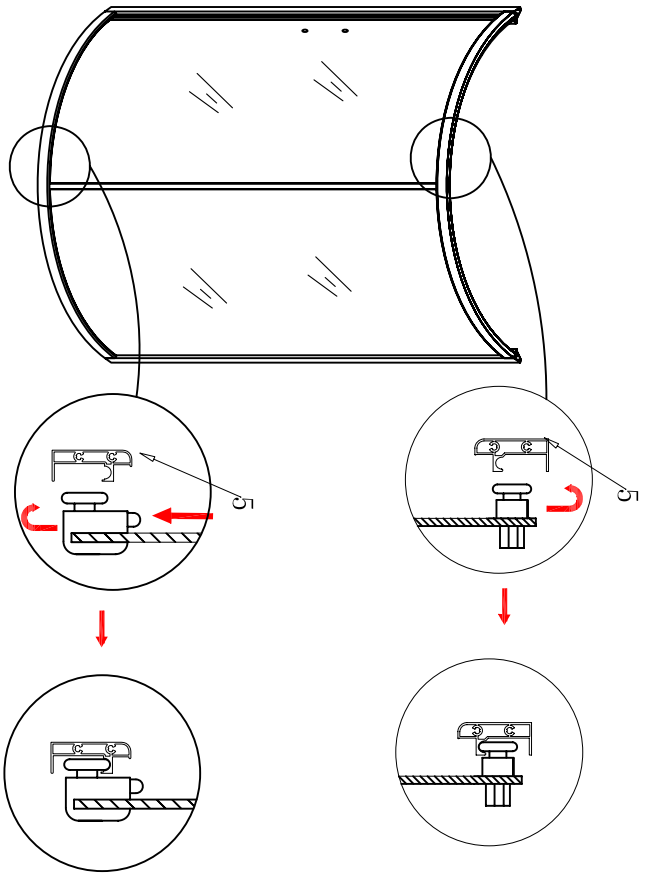
step4:



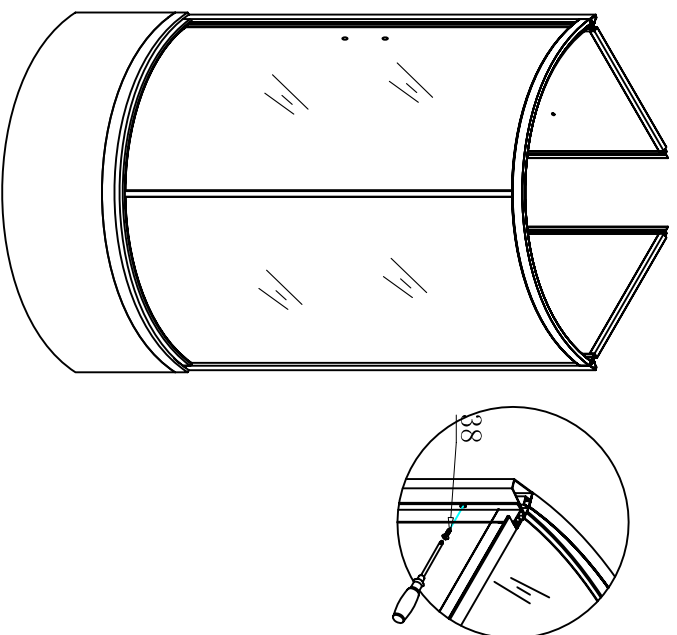
step6:



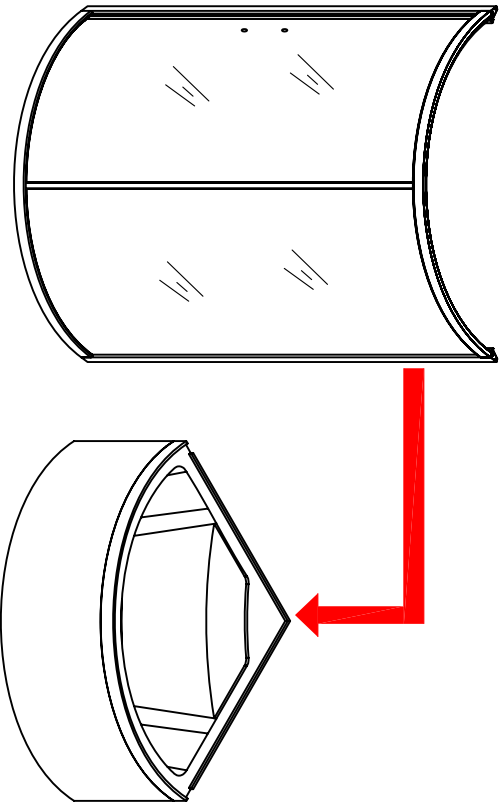
step7:



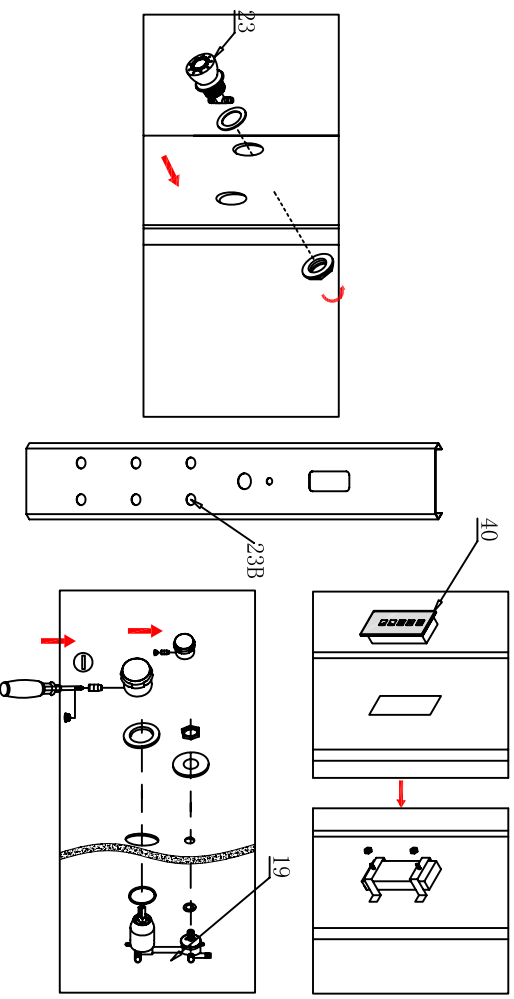
step9:



step8:



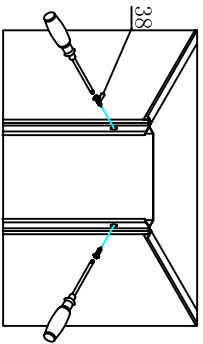
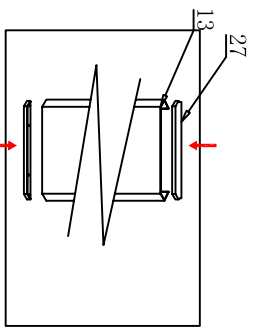
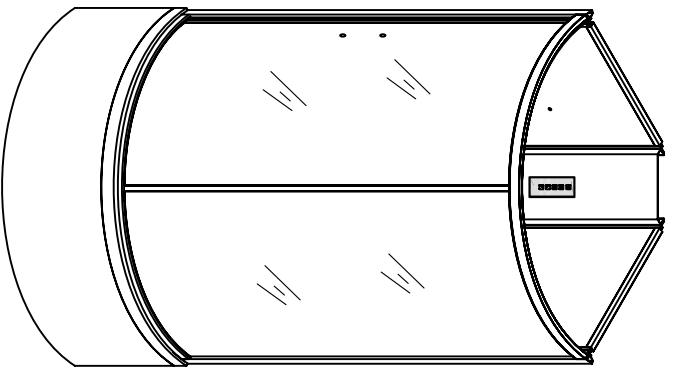
step10:



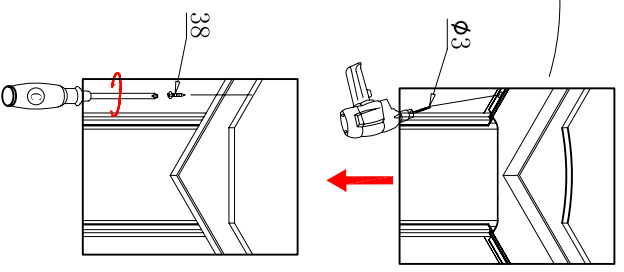
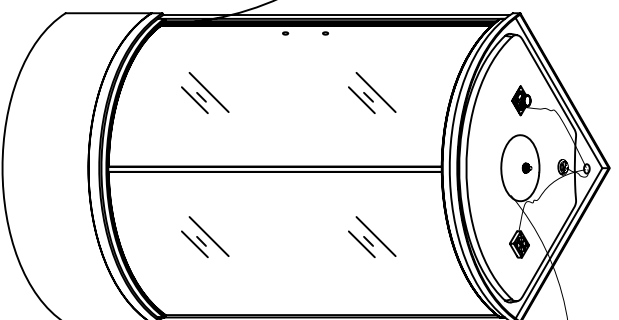
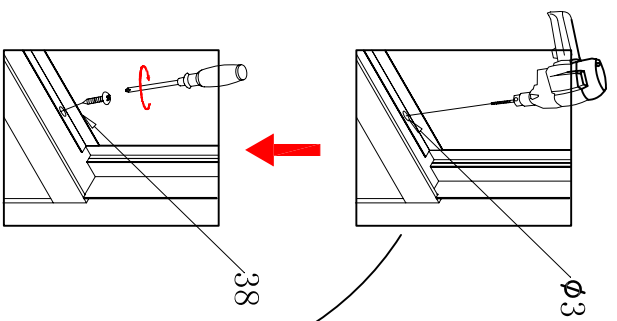
6

7

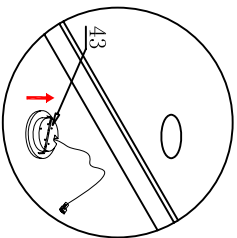
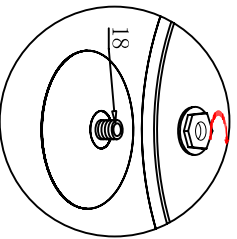
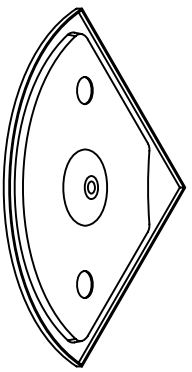
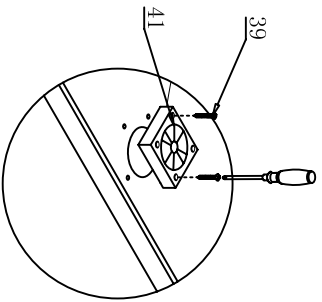
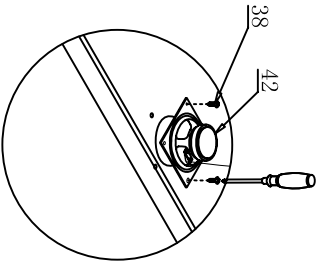
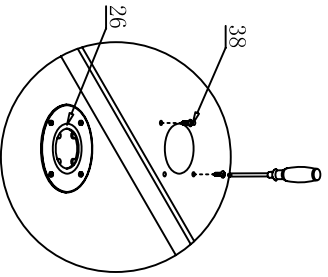
step11:



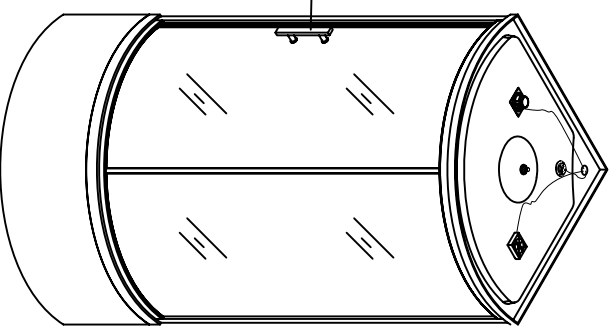
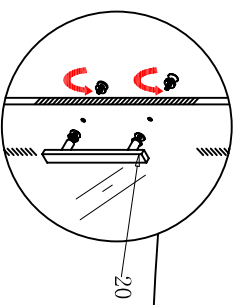
step13:



step12:



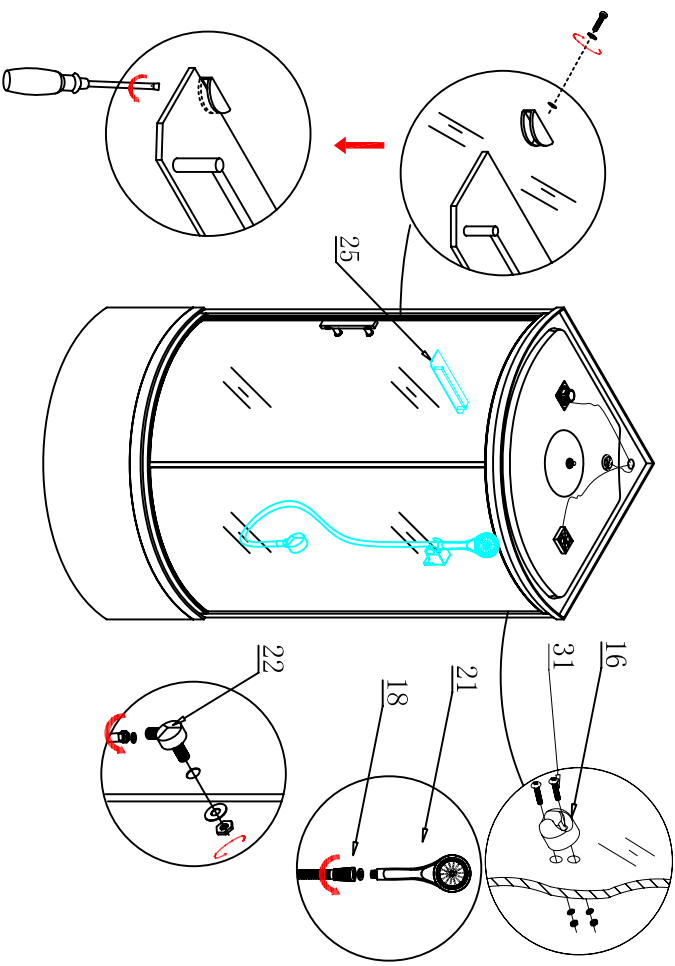
step14:



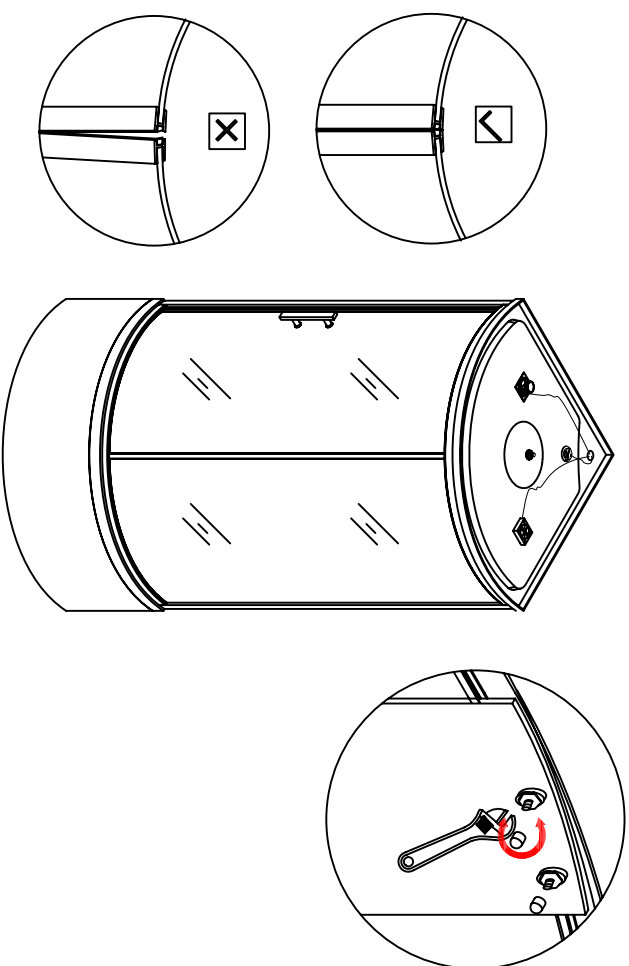
⑧

⑨

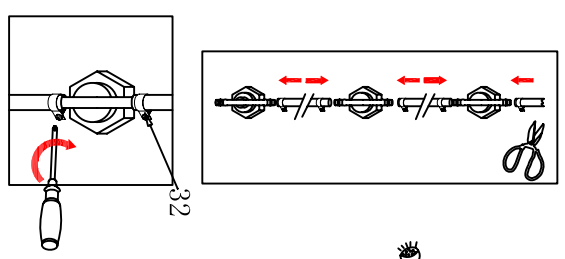
step15:



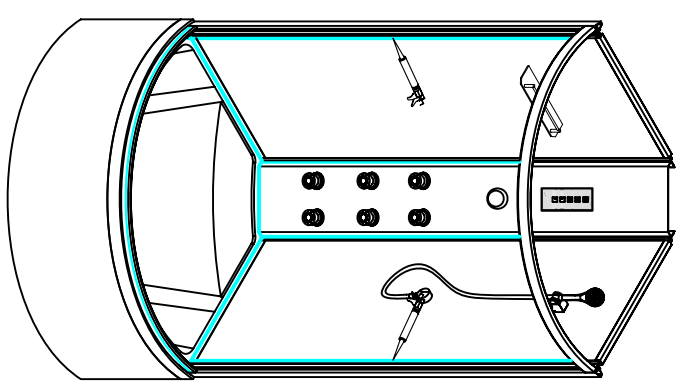
step17:



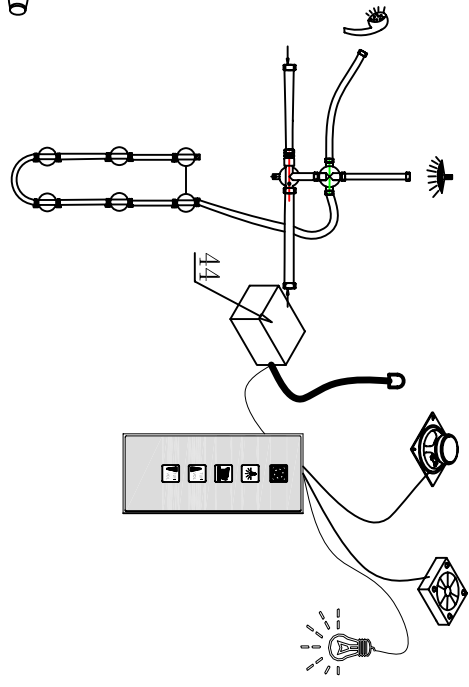
step16:



step18:



10



11