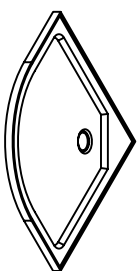
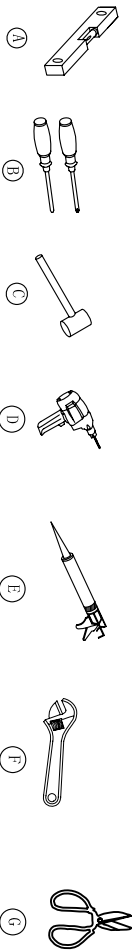
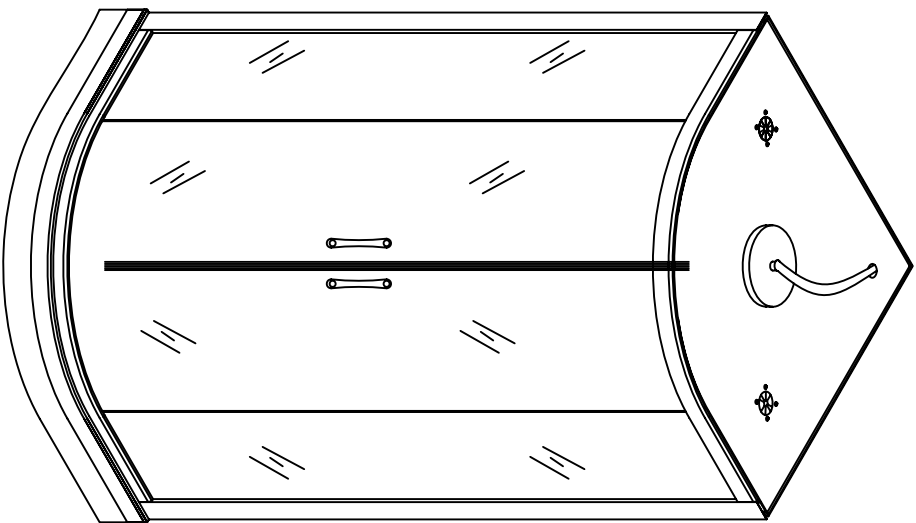
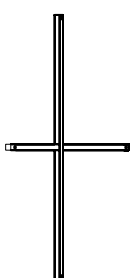


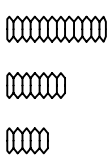
SV218



[1] x 1



[2] x 1



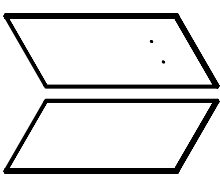
[3] x 5



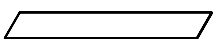
[4] x 1



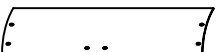
[5] x 2



[6] x 2



[7] x 2



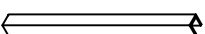
[8] x 2



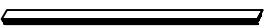
[9] x 2 (1530mm)



[10] x 4



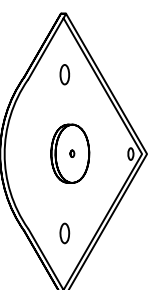
[11] x 2



[12] x 2 (1530mm)



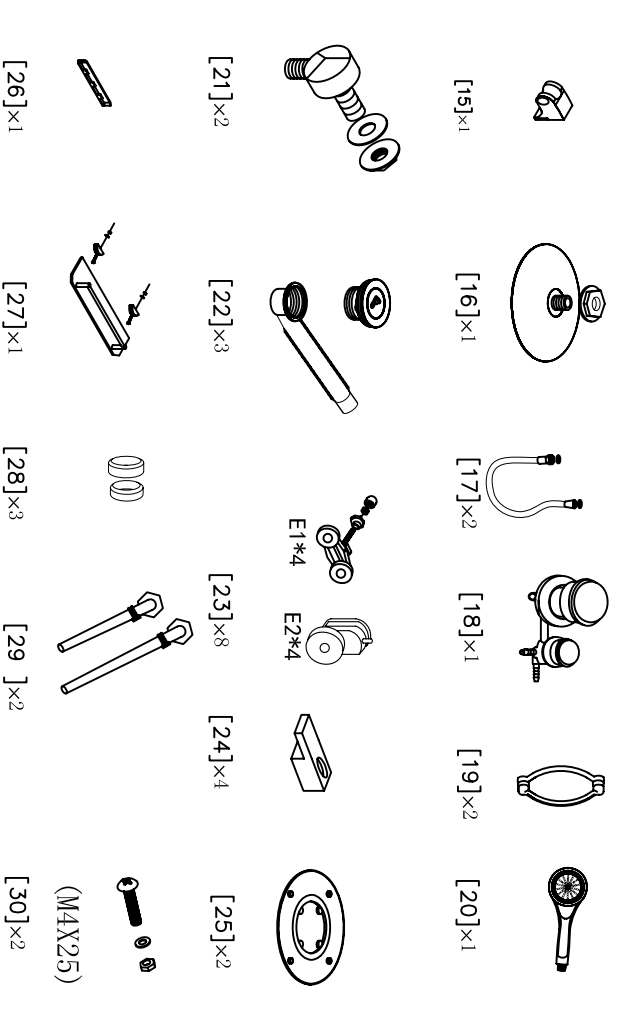
[13] x 1



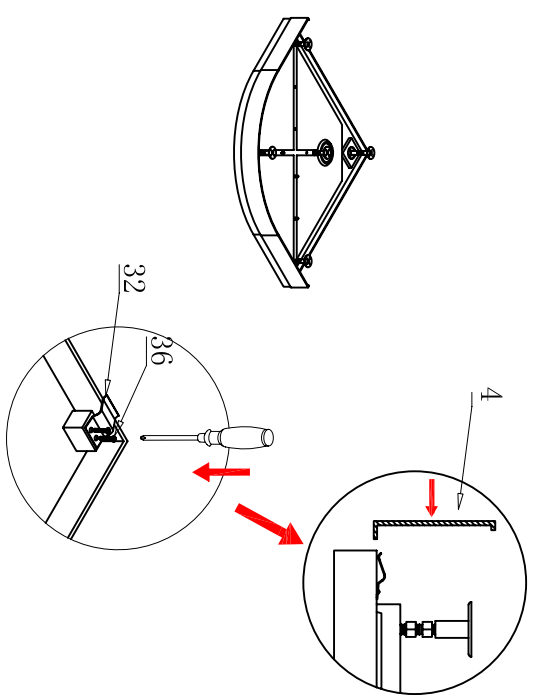
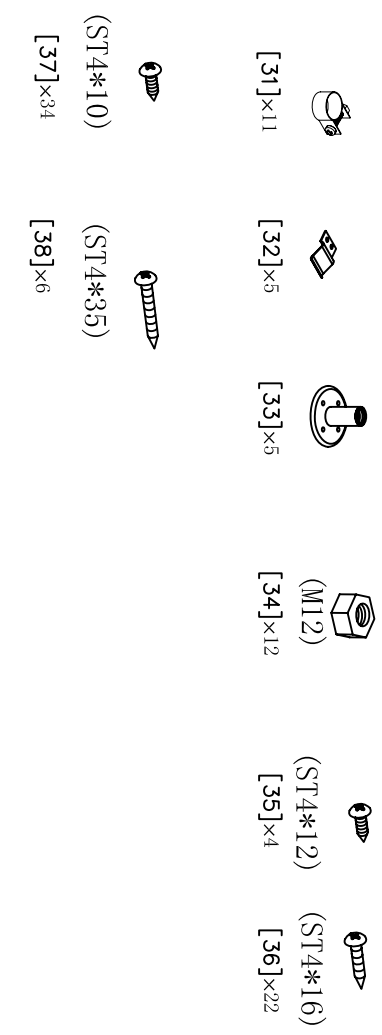
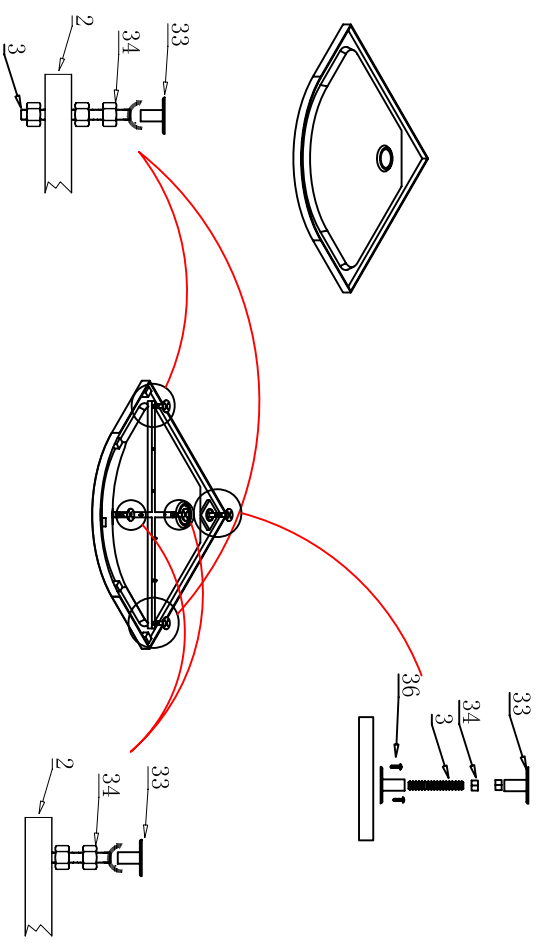
[14] x 1

①

step1:



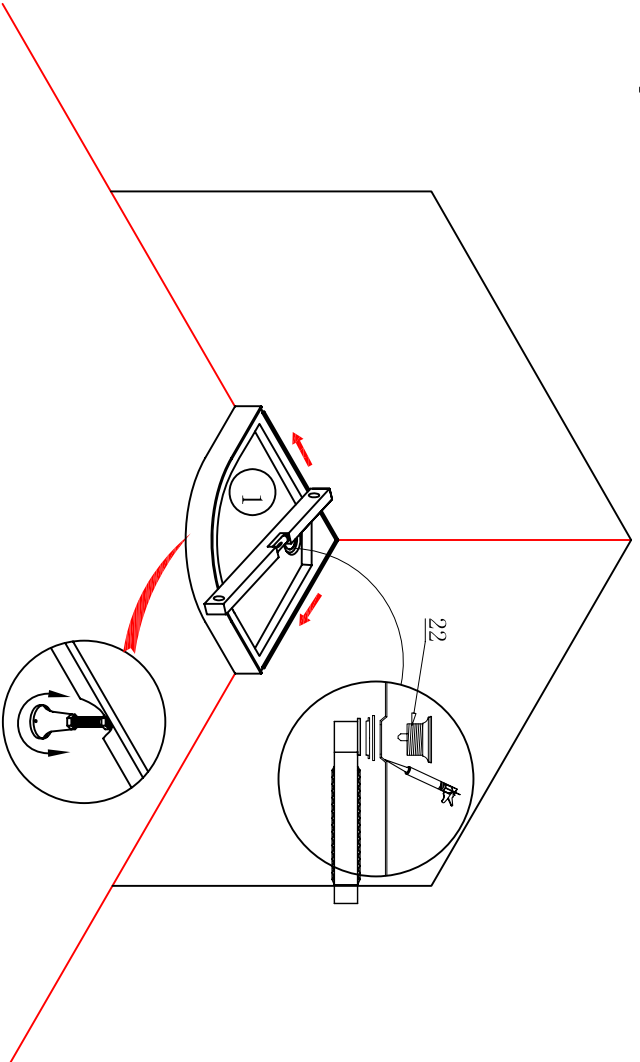
step2:



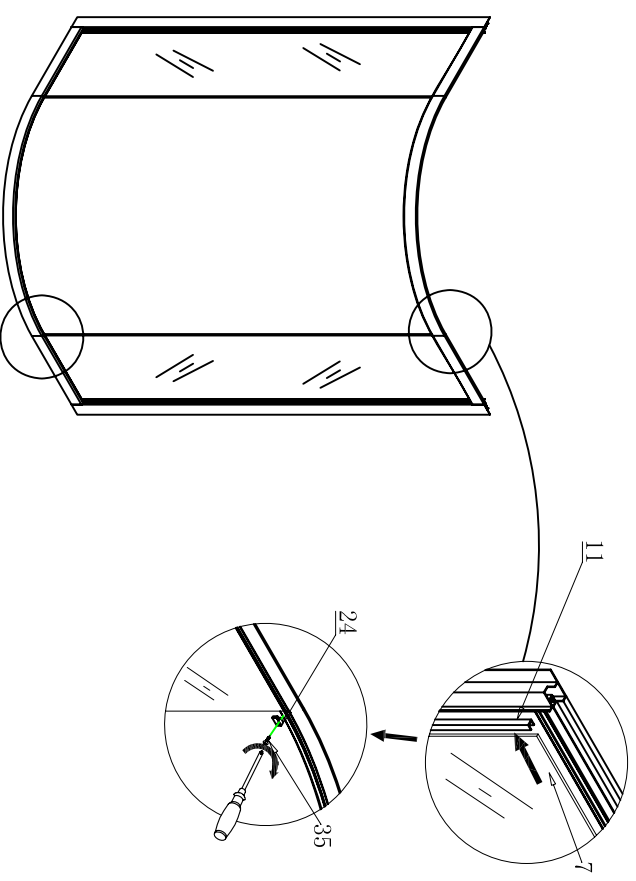
2

3

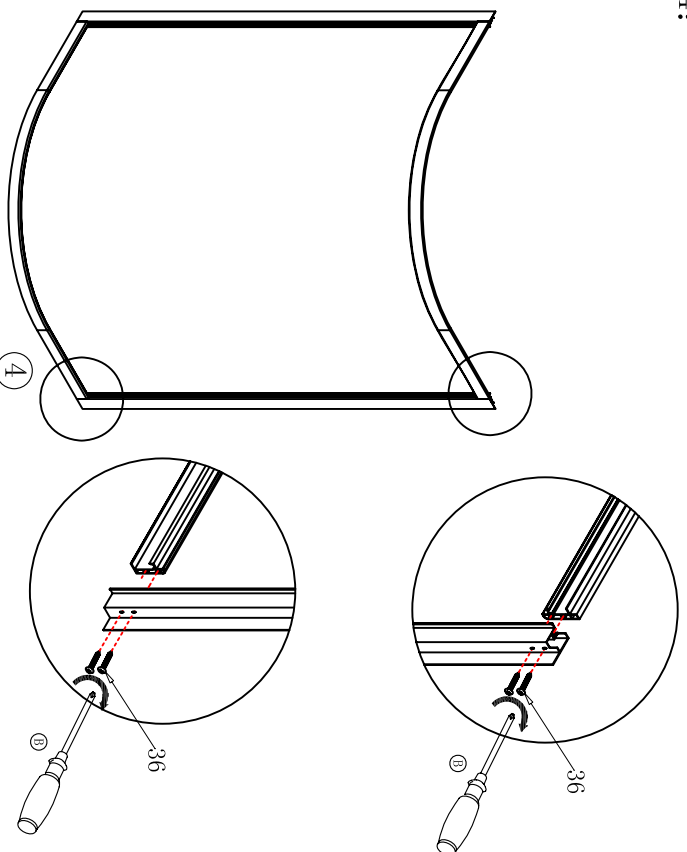
step3:



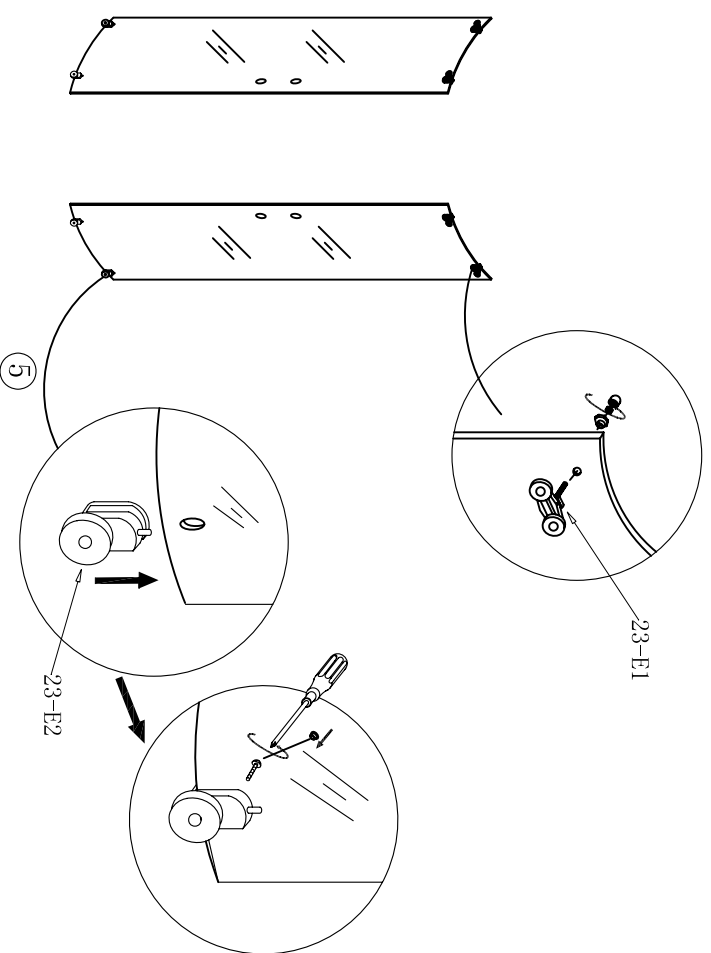
step5:



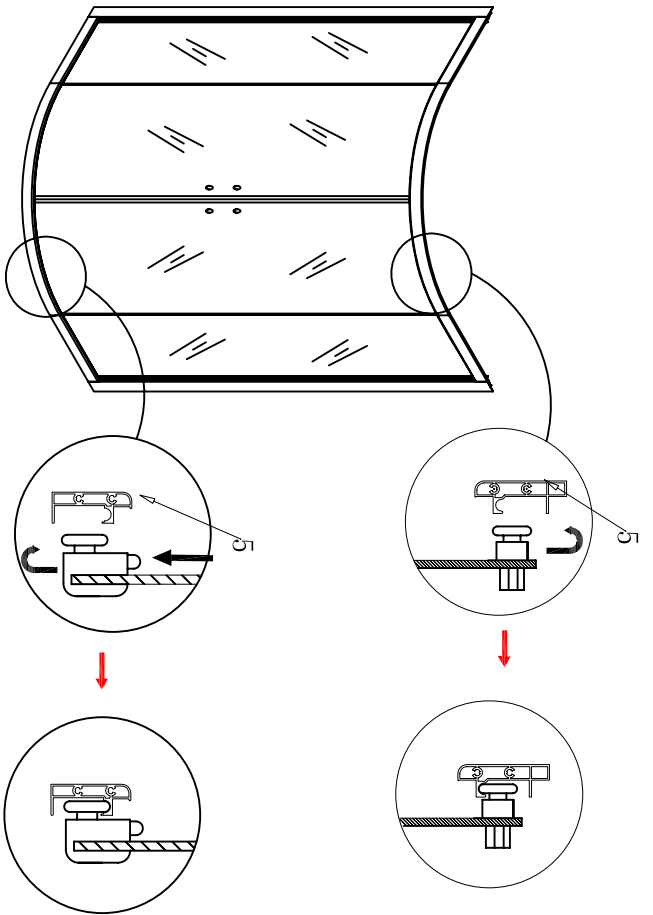
step4:



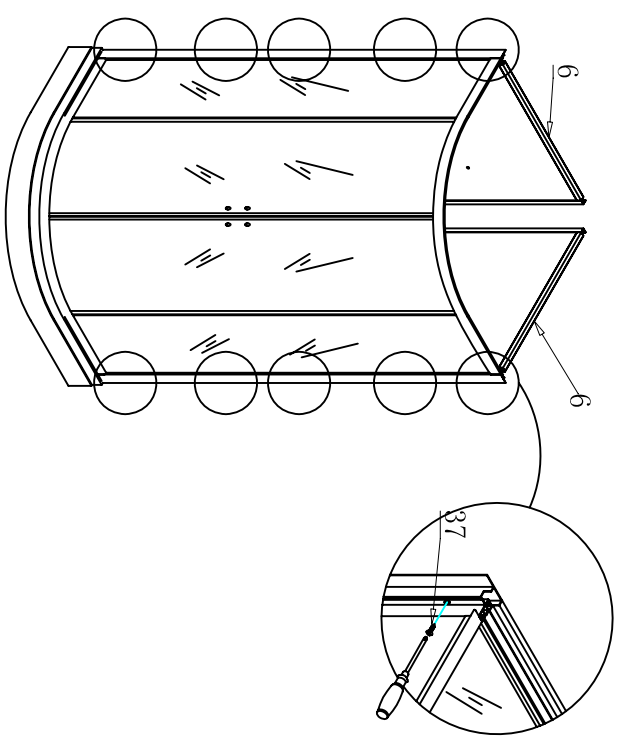
step6:



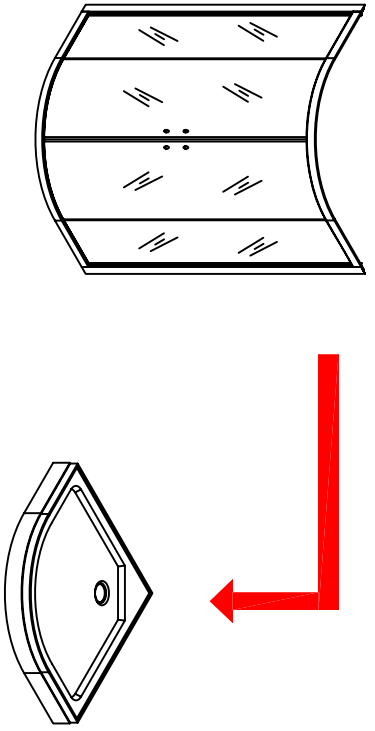
step7:



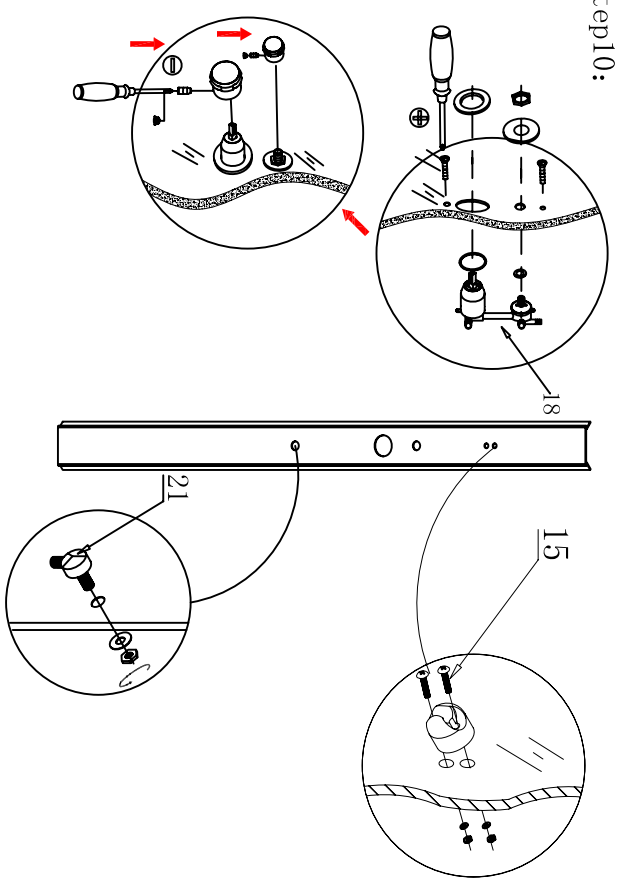
step9:



step8:



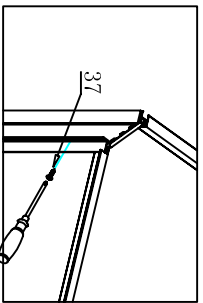
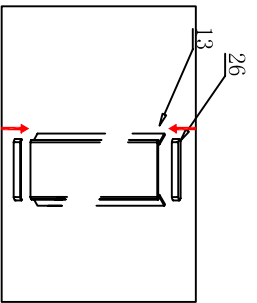
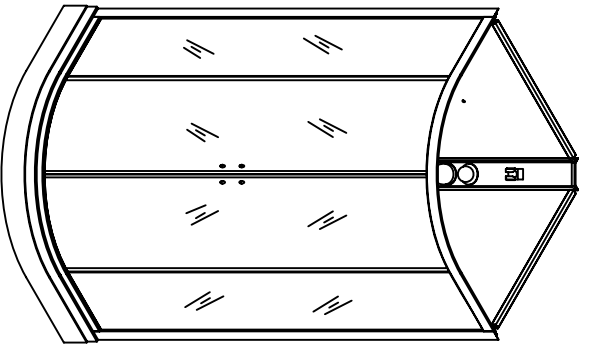
step10:



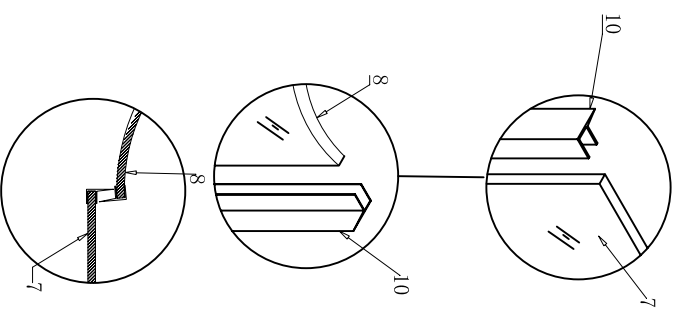
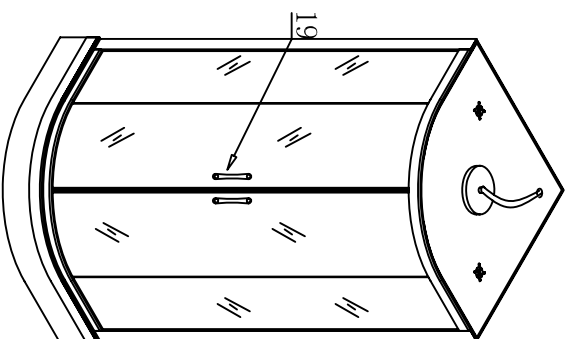
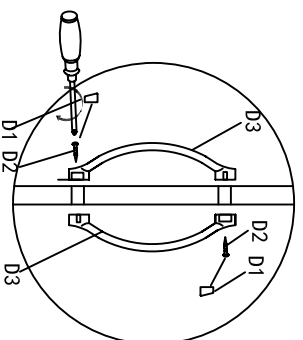
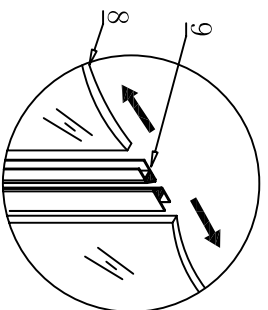
6

7

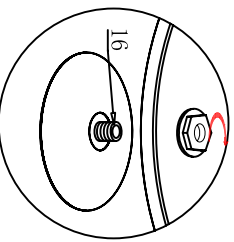
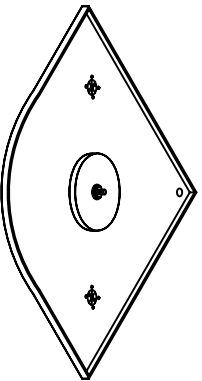
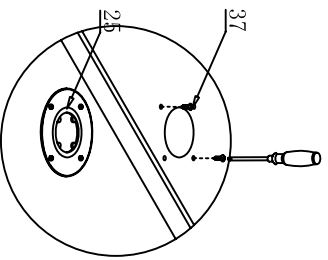
step11:



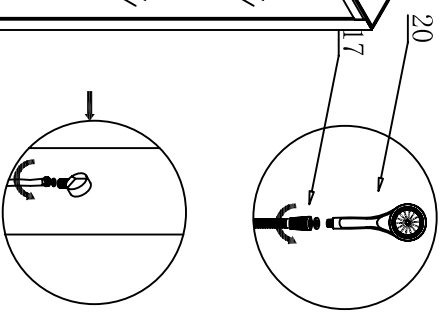
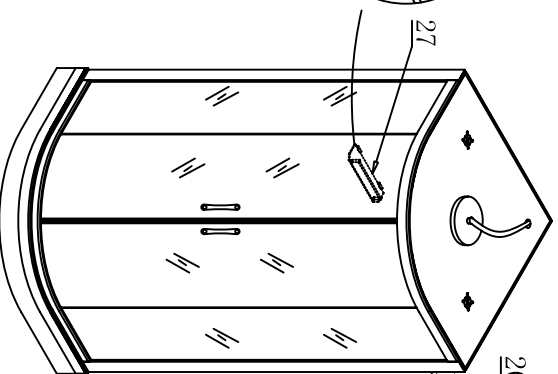
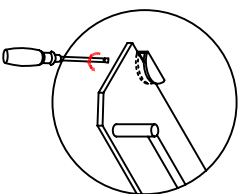
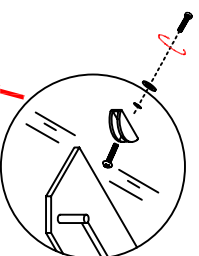
step13:



step12:



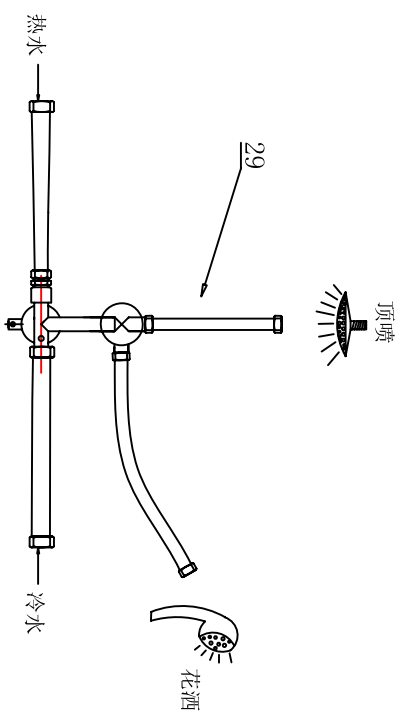
step14:



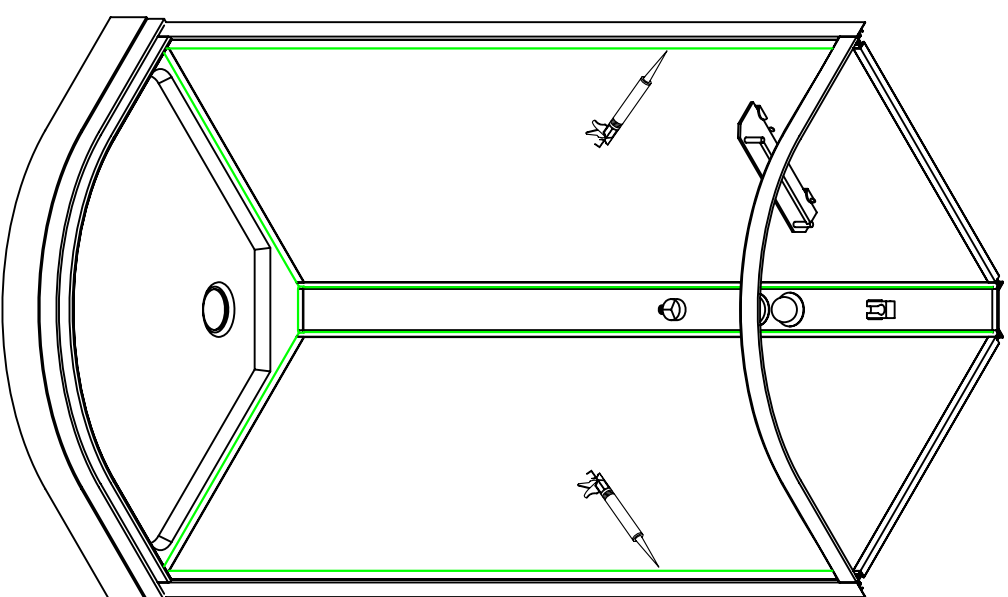
⑧

⑨

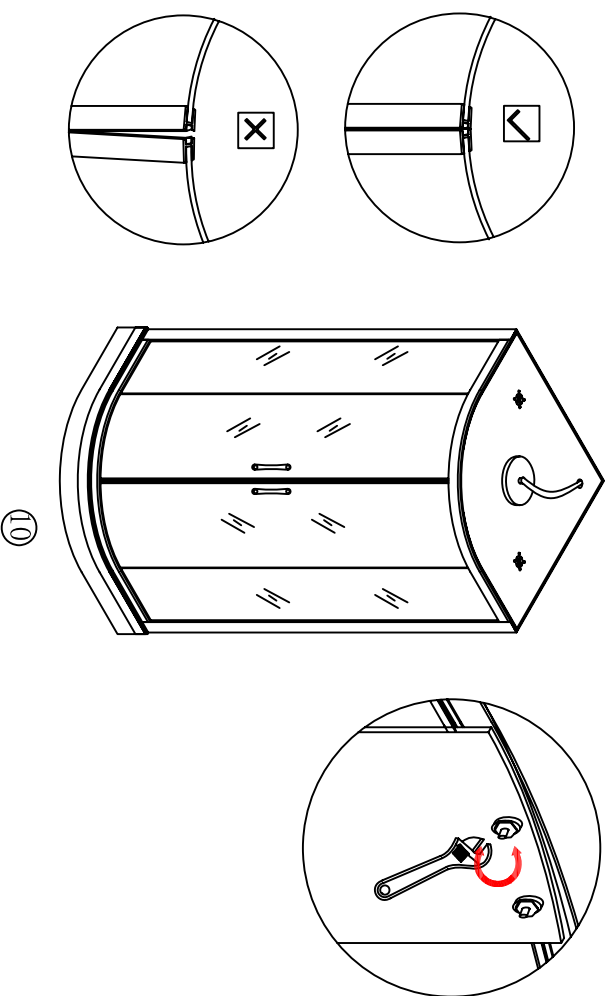
step15:



step17:



step16:



10

11