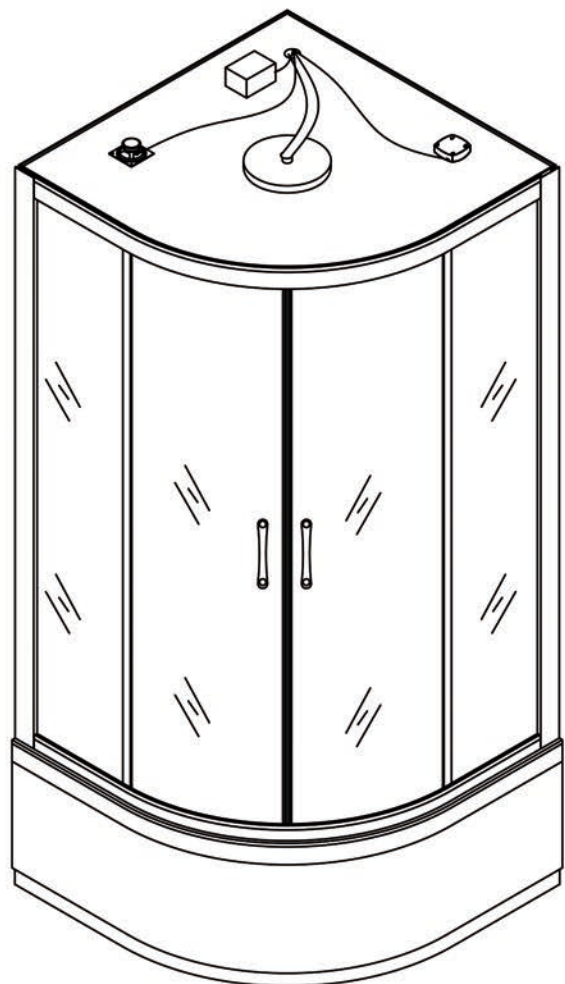
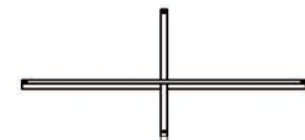


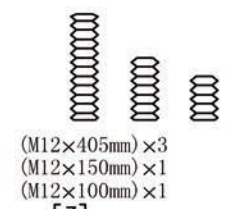
GM-238/238.1



[1]×1



[2]×1



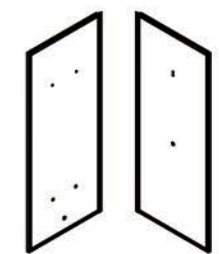
[3]



[4]×1



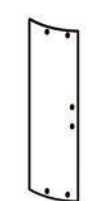
[5]×2



[6]×2



[7]×2



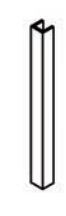
[8]×2



[9]×2



[10]×2



[11]×4



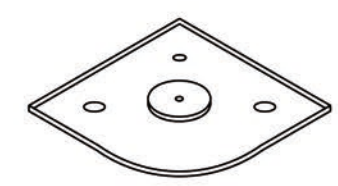
[12]×2



[13]×2



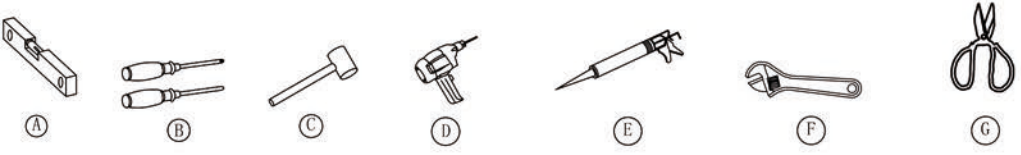
[14]×1



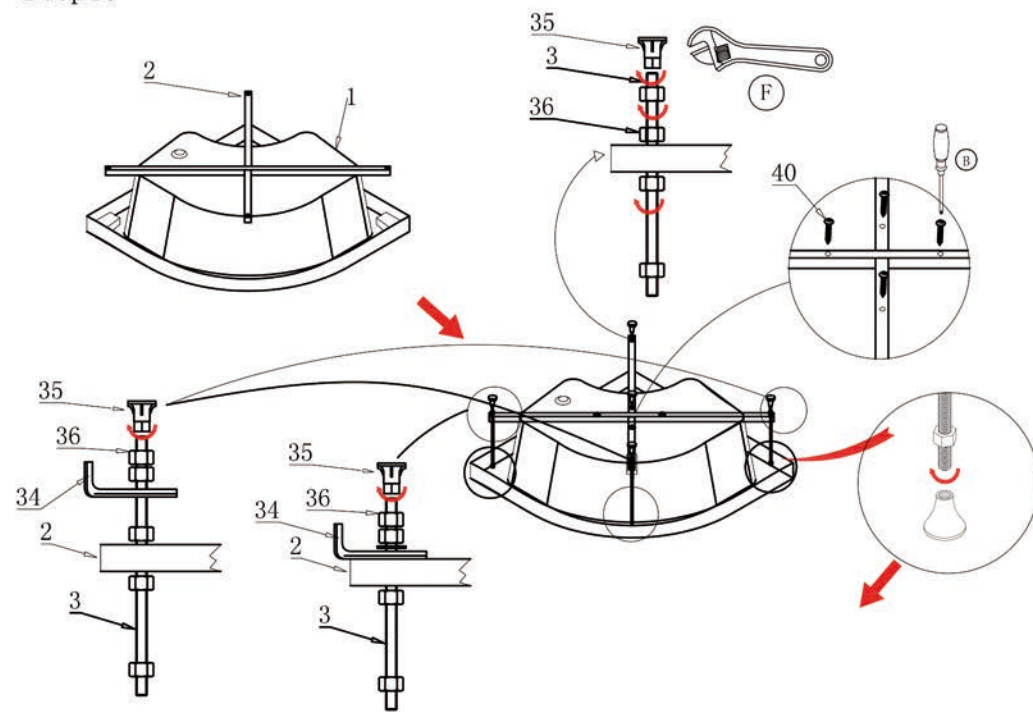
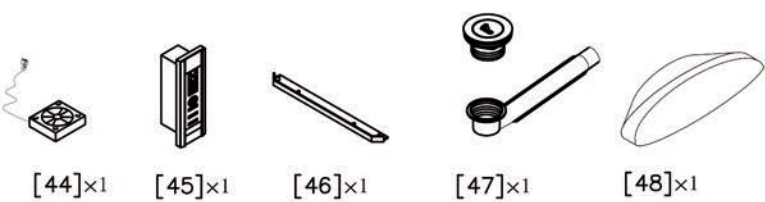
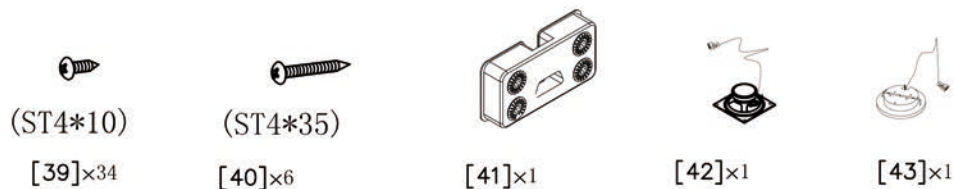
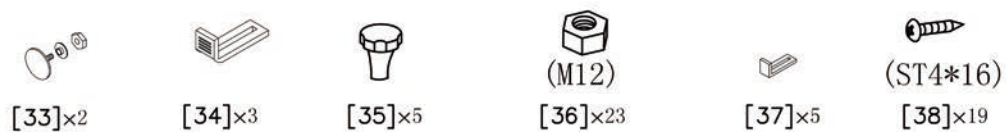
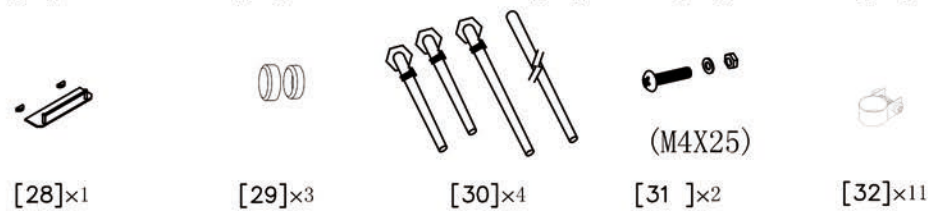
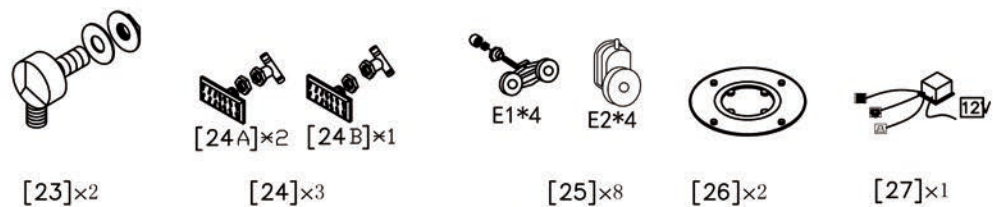
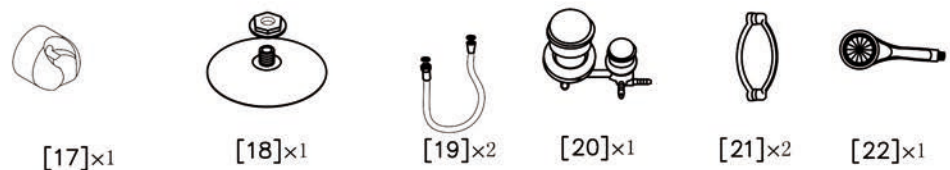
[15]×1



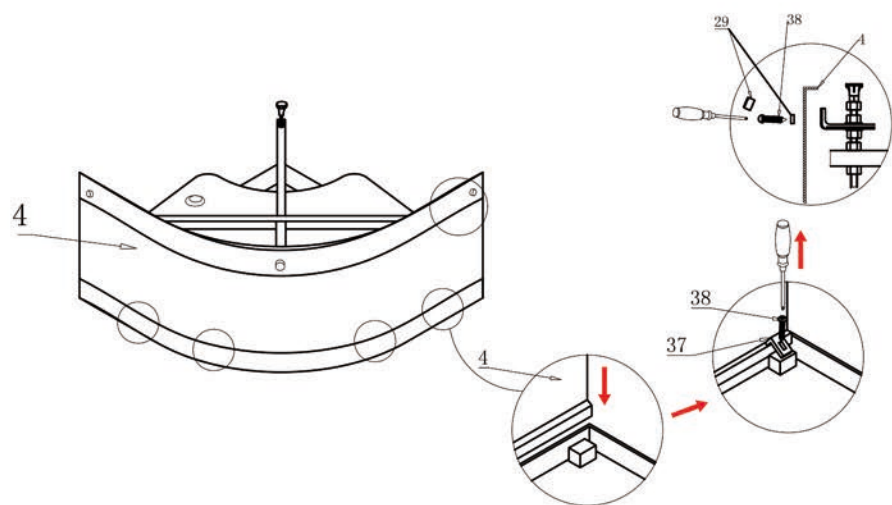
[16]×1



step1:



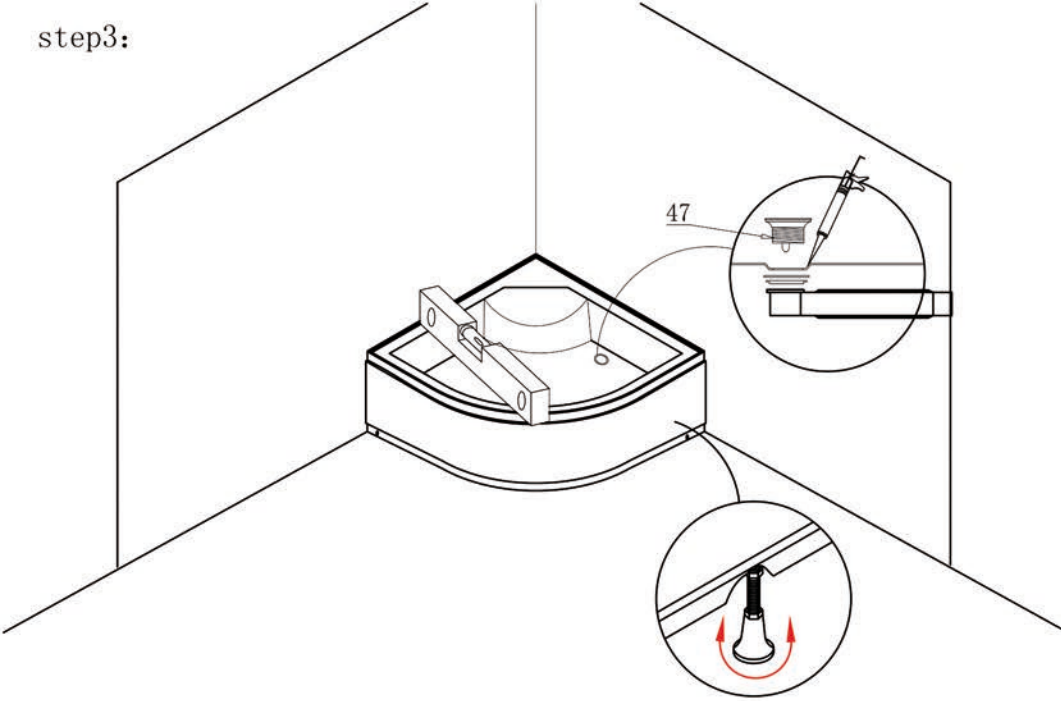
step2:



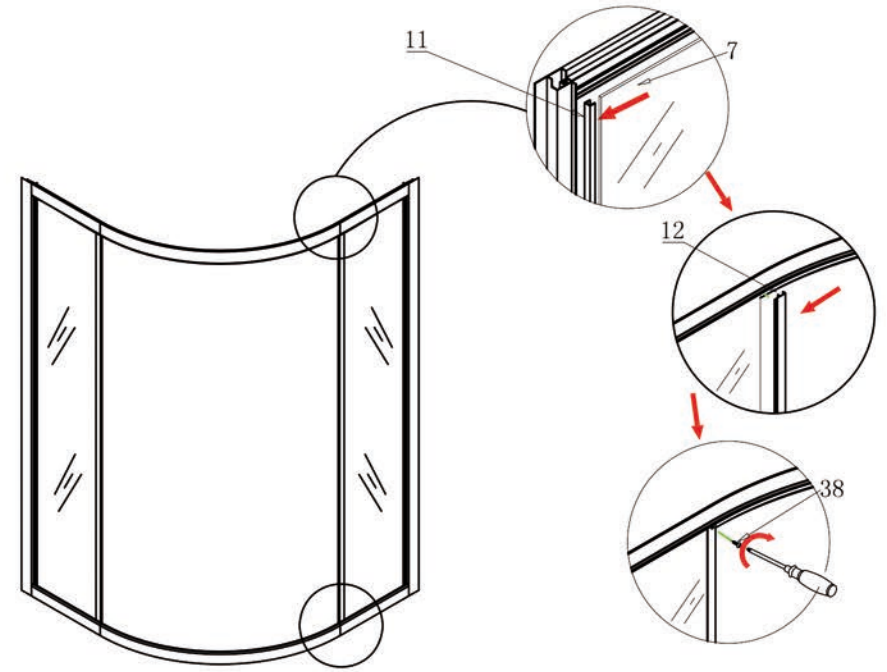
2

3

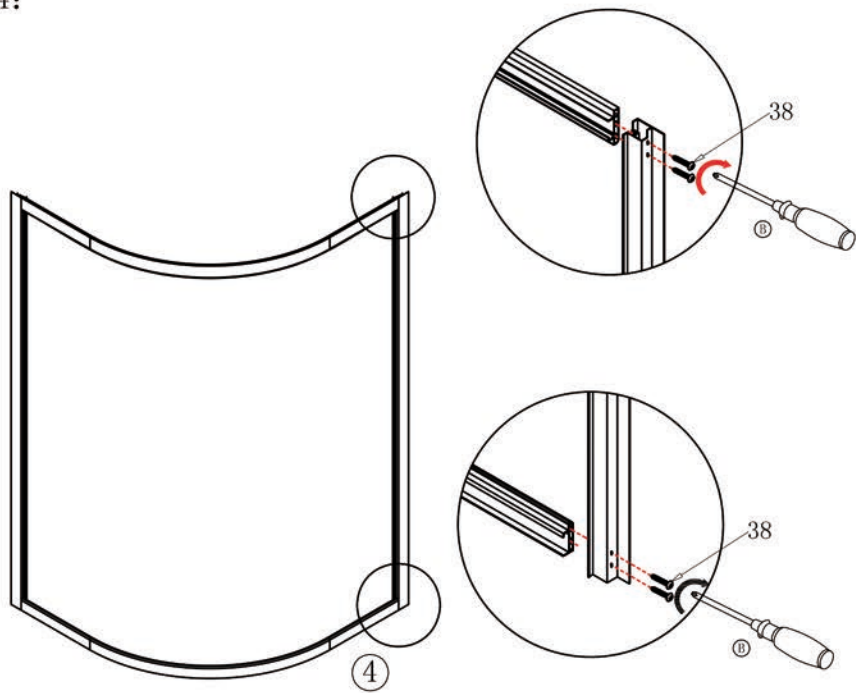
step3:



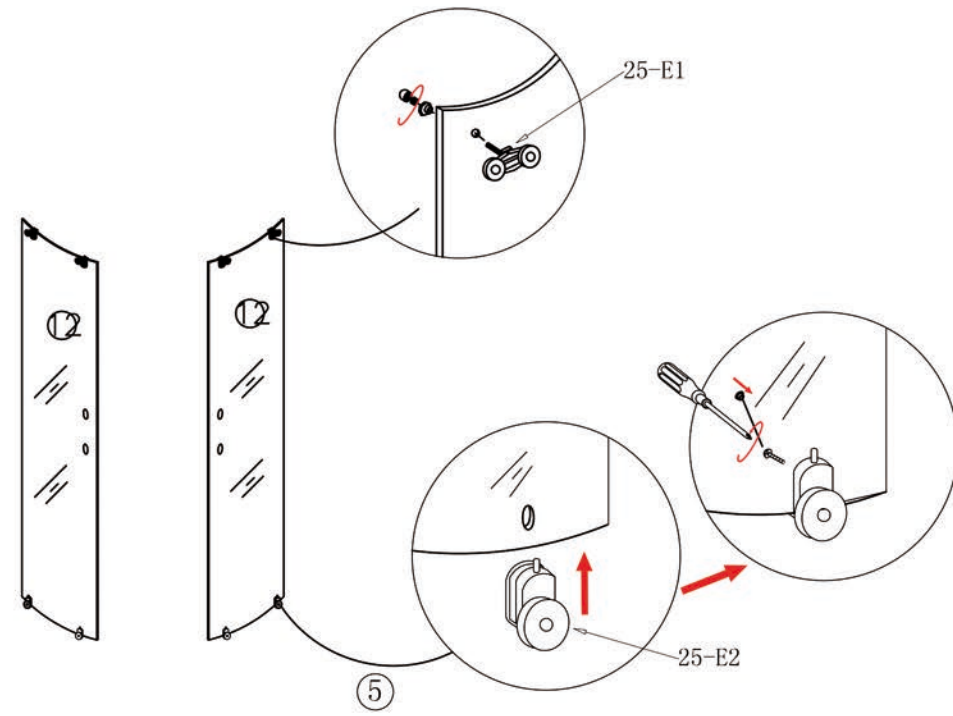
step5:



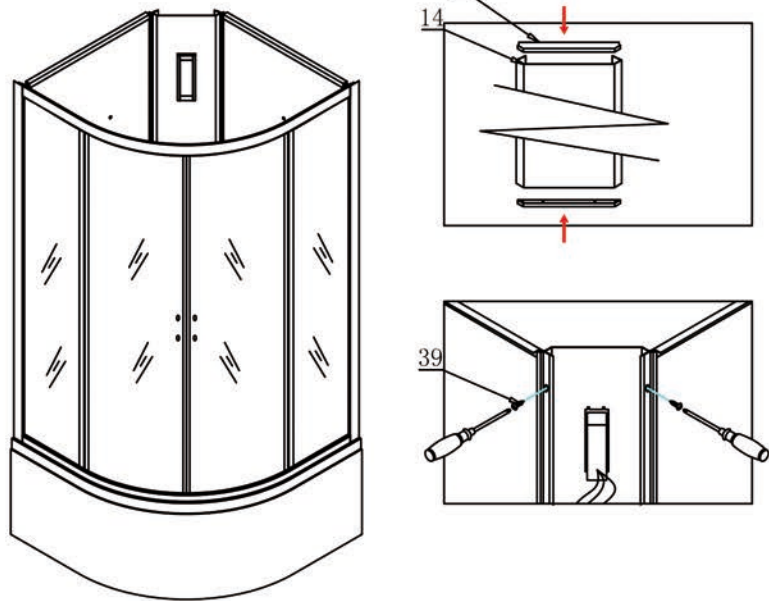
step4:



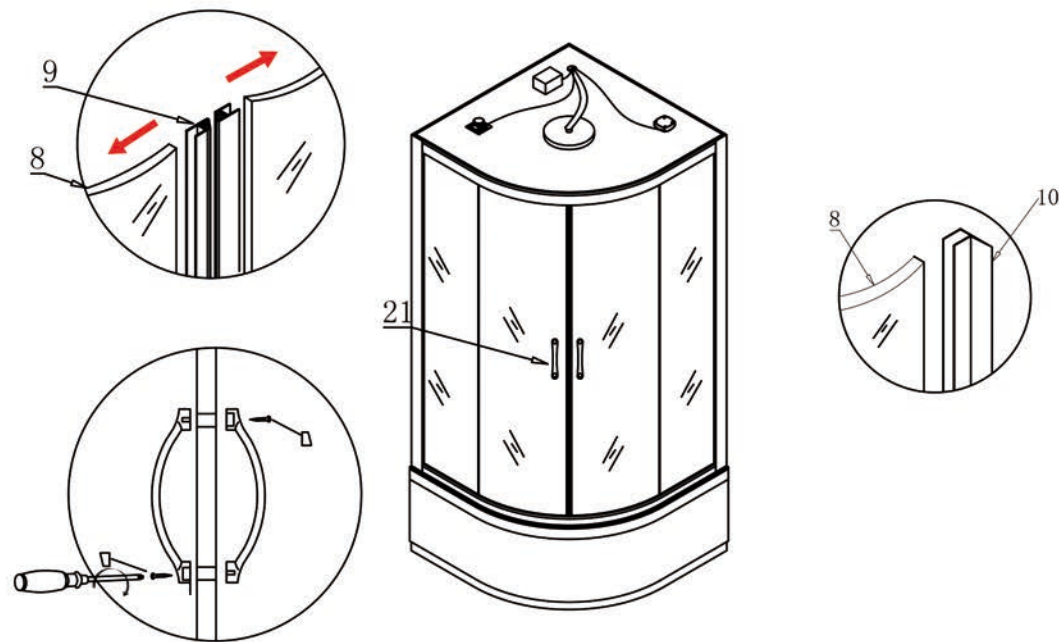
step6:



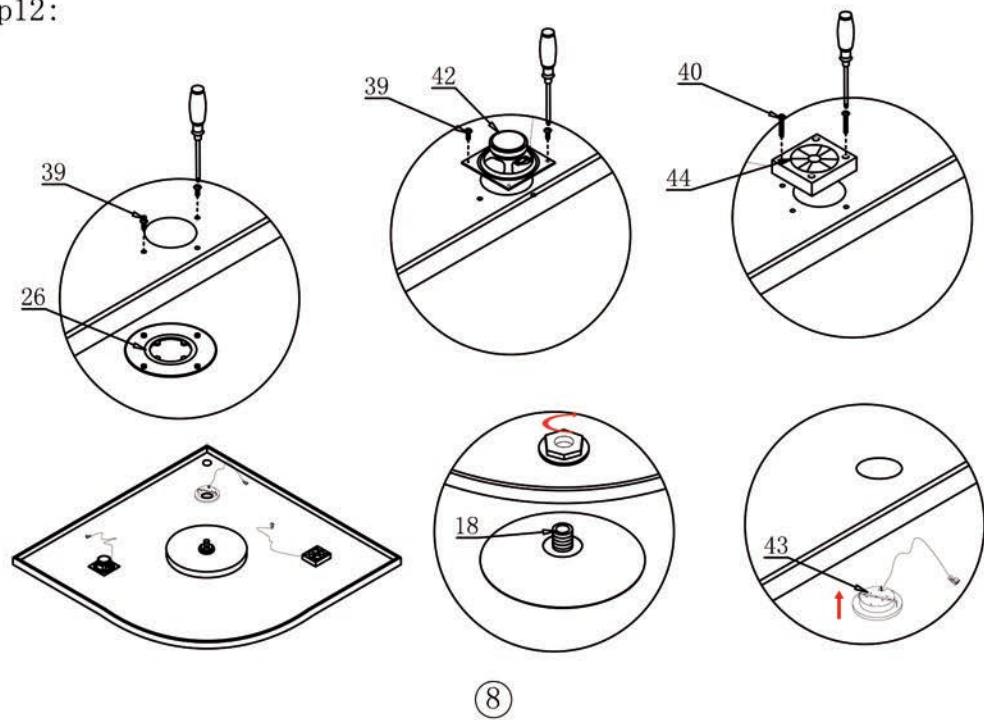
step11:



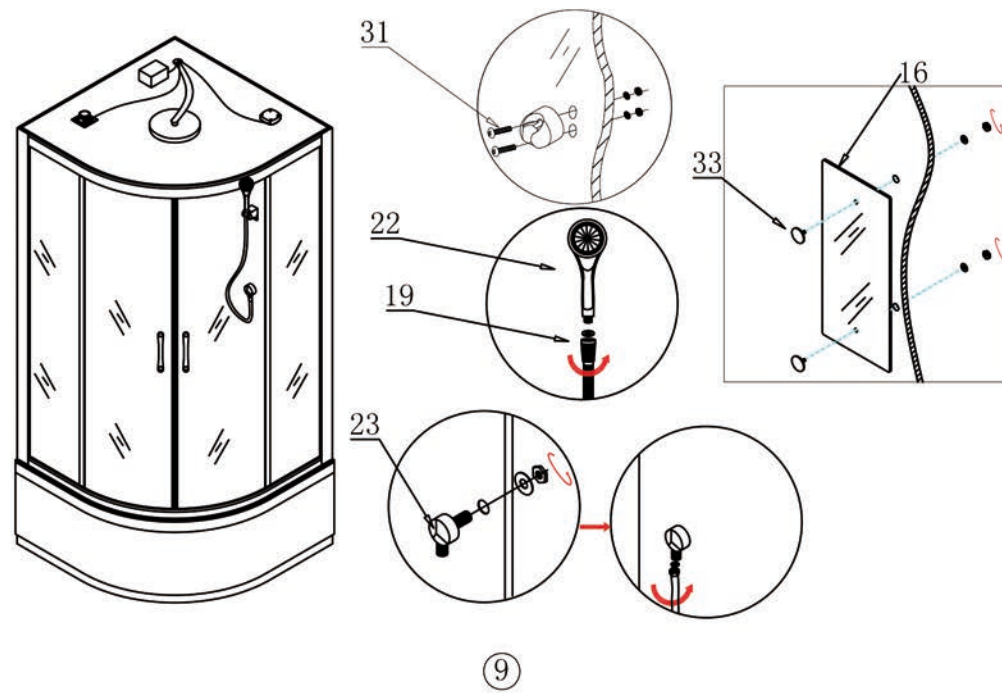
step13:



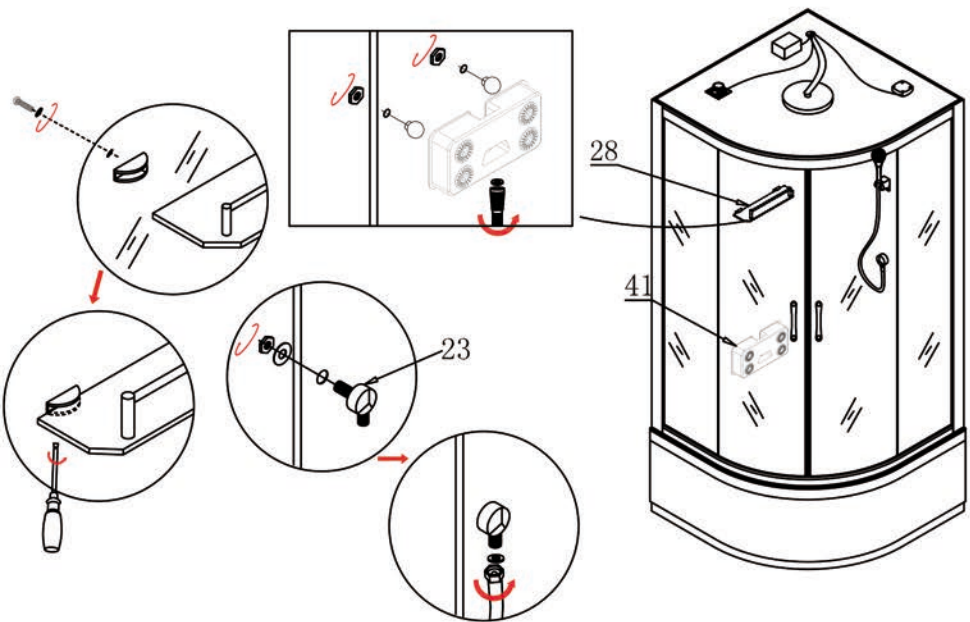
step12:



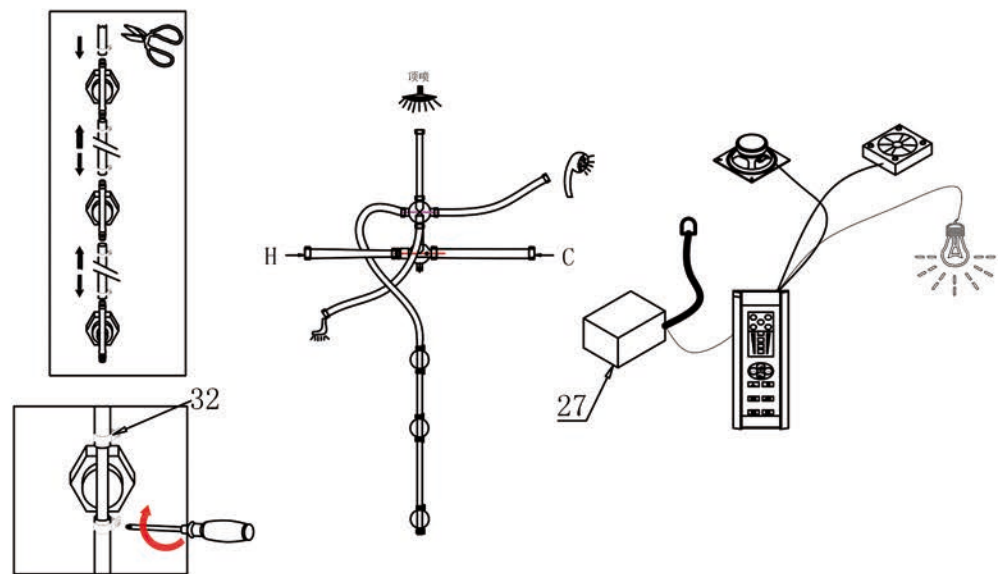
step14:



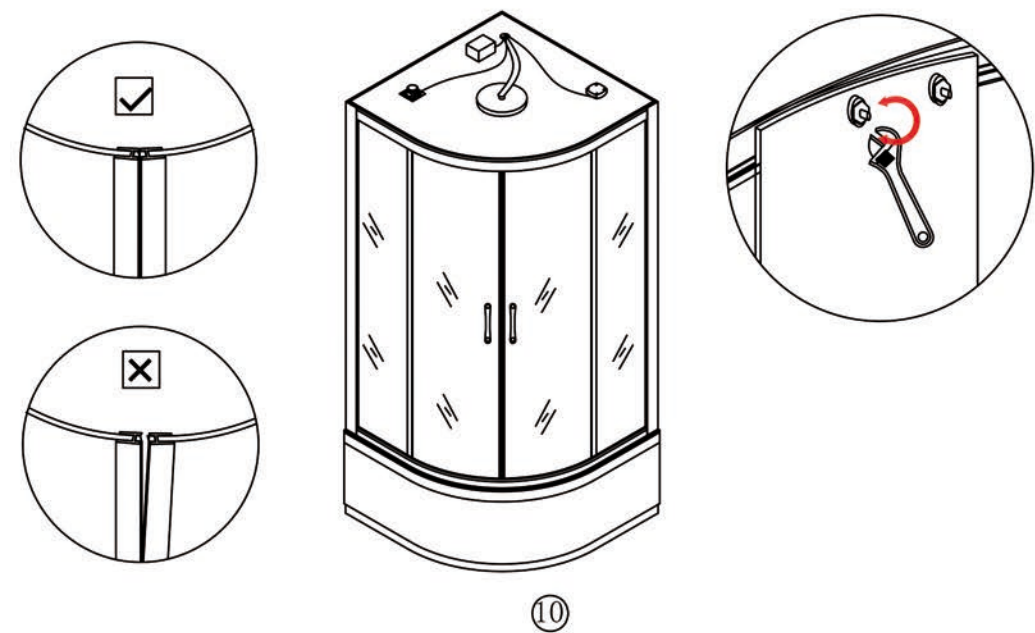
step15:



step17:



step16:



step18:

