

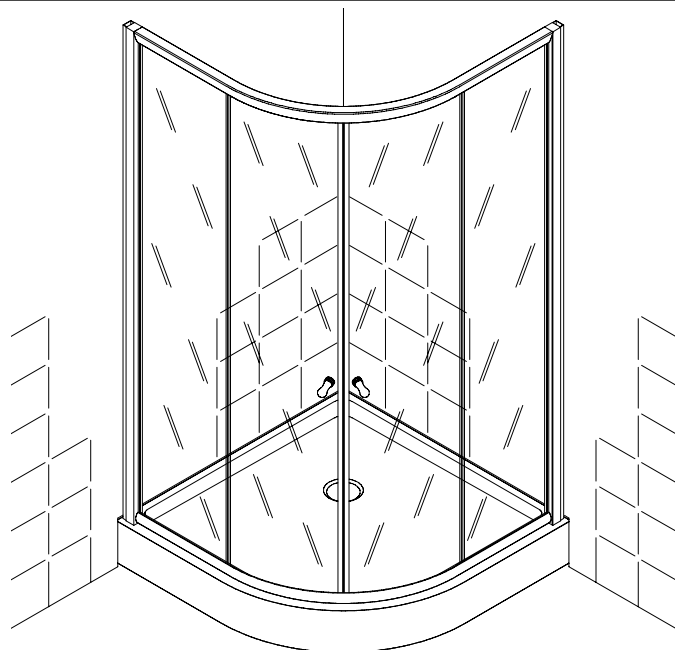
Installation Instructions

Neo-Round Corner Shower Kit Semi Frameless

Please note, care should be taken when unpacking your Shower Kit.

Place the Glass Panels in an upright, safe location to avoid damage.

DO NOT PLACE THE GLASS PANELS ON A HARD SURFACE.



Care and cleaning:

Use only mild detergents or warm soapy water applied with a soft cloth. Always rinse well after cleaning and dry by blotting with a damp cloth or chamois. The use of a squeegee after each shower is recommended to eliminate water spots on the inside of the Glass Panels. To keep your Shower looking new, **NEVER** use scouring pads, gritty cloths, sharp instruments or harsh or abrasive cleansers on metal work, wall or Glass Panels.

Minor scratches can be removed with hard paste auto body polish or auto polishing compound followed by auto body polish. **DO NOT USE RUBBING COMPOUND.**

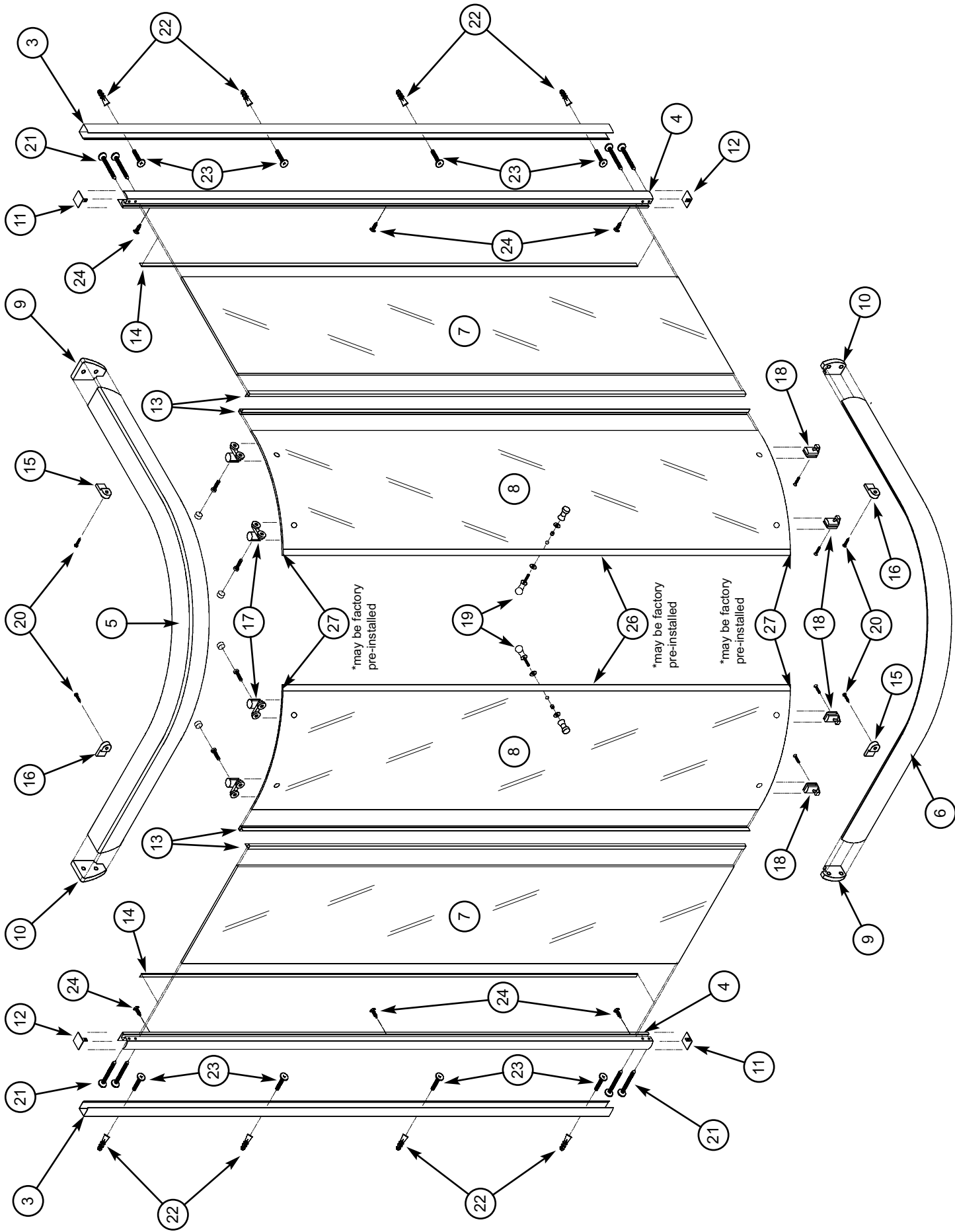
Carefully read the Installation Instructions **BEFORE** you start. This allows you to become familiar with the installation sequences and the required tools.

Tools Required - For installation of your Shower Kit, you will need the following tools:

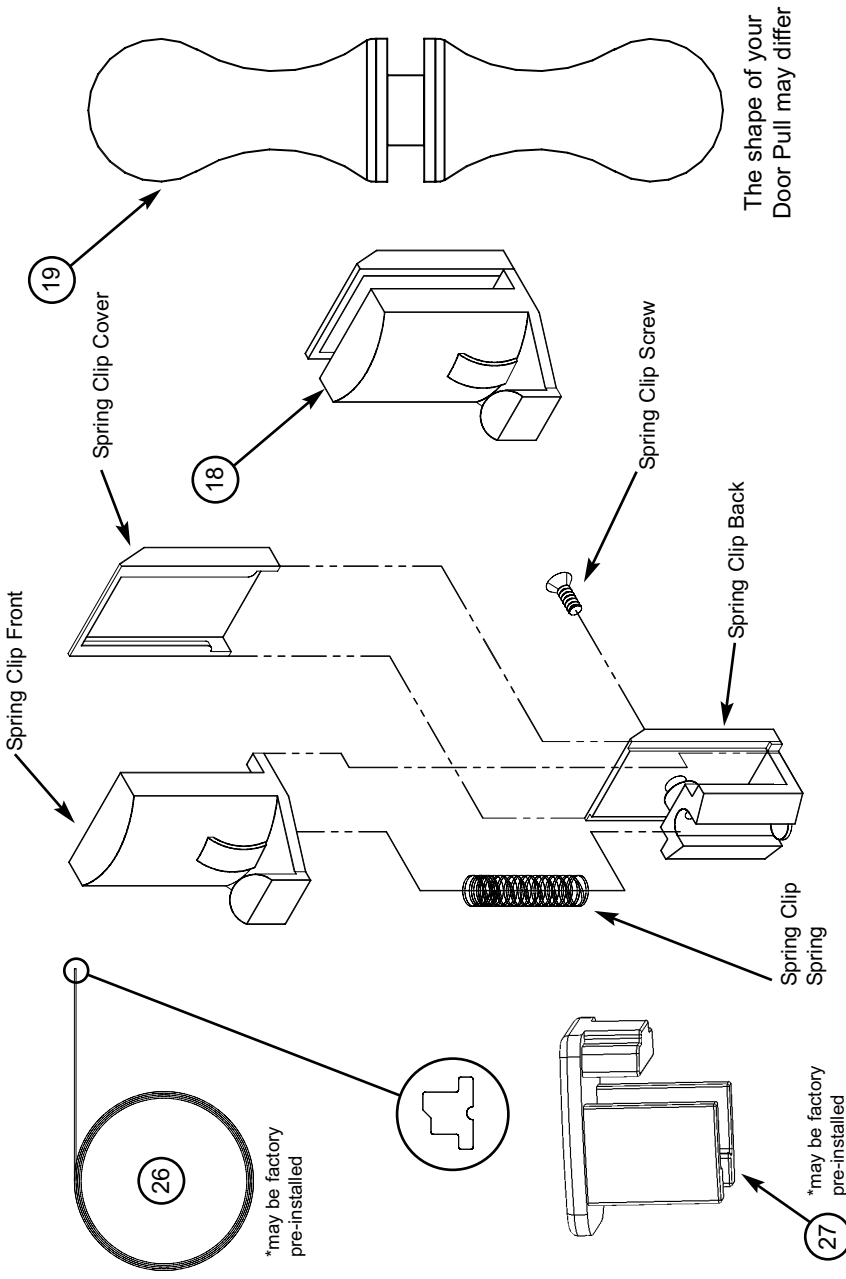
- | | |
|--|--|
| A - Safety glasses. | F - Caulking gun. |
| B - Measuring tape. | G - Square |
| C - Level. | H - Pencil. |
| D - Electric drill | J - Hammer. |
| E - Drill bit, | K - Center punch. |
| 1/8" (for installation on a fiberglass enclosures) | L - #1 and #2 phillips head screwdrivers. |
| 1/4" masonry (for installation on ceramic tiles or marble) | M - Paint Stirrer. |

Materials Required - For installation of your Shower Kit, you will need the following materials:

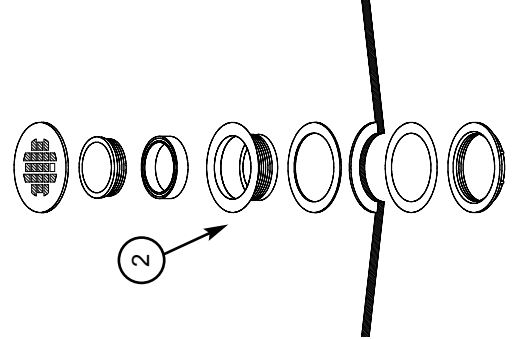
- A** - Silicone sealant (Premium Mildew Resistant)
- B** - Mineral Spirits (Paint Thinner) - **NO LACQUER THINNER OR ACETONE**
- C** - Soft Clean Cloths



Item #	Part Description	Qty.
1	Base	1
2	Drain Kit	1
3	Wall Channel	2
4	Panel Upright	2
5	Header	1
6	Track	1
7	Side Glass Panel	2
8	Sliding Door Panel	2
9	Header / Track End Cap "A"	2
10	Header / Track End Cap "B"	2
11	Panel Upright End Cap "A"	2
12	Panel Upright End Cap "B"	2
13	Door Seal Strip	4
14	Glass Panel Spline	2
15	Glass Panel Clip "A"	2
16	Glass Panel Clip "B"	2
17	Double Roller Assembly	4
18	Spring Clip Assembly	4
19	Door Pull Assembly	2
20	#7 x 7/16" long Screw	4
21	#8 x 1 3/4" long Screw	8
22	Wall Anchor	8
23	#8 x 1" long Screw	8
24	#6 x 1/2" long Screw	6
25	3/32" Drill Bit	1
26	Magnetic Strip	2
27	End Cap	6



The shape of your Door Pull may differ



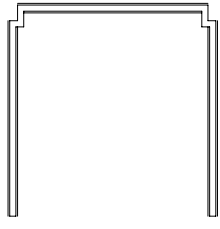
If you have missing parts, do not return this item to the store, call us for an immediate, courteous response.

When ordering replacement parts, please have the following information ready:

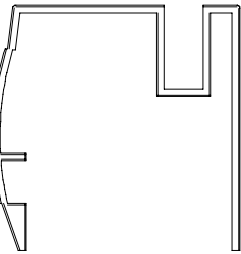
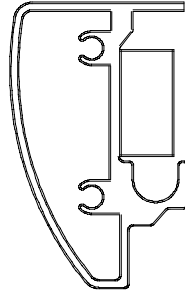
- Model Number
- Item Number
- Description
- Part Number

To help identify the proper parts, please refer to the Illustrations of Components. Assembly hardware is shown at full size.

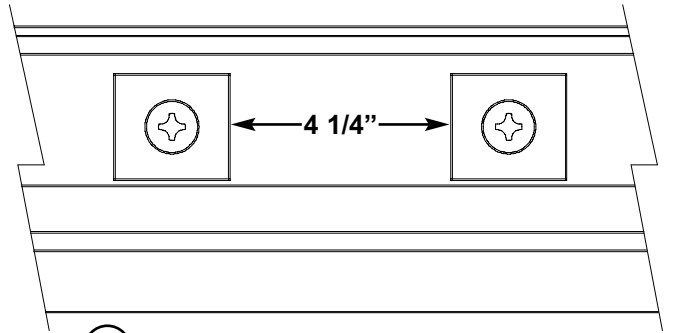
ILLUSTRATIONS OF COMPONENTS



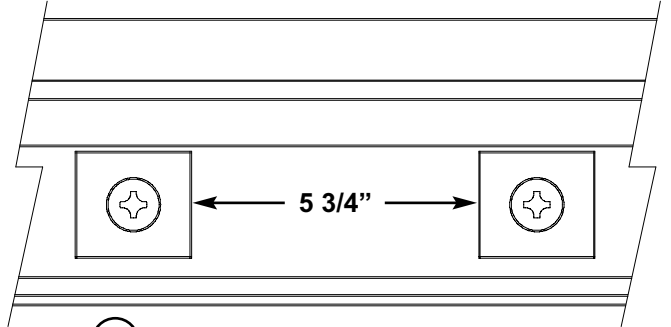
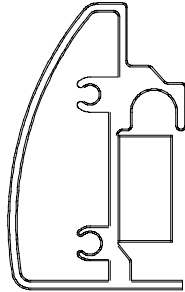
3 Wall Channel



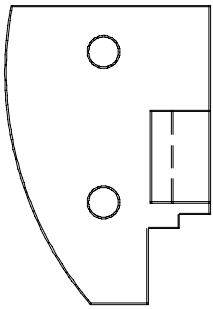
4 Panel Upright



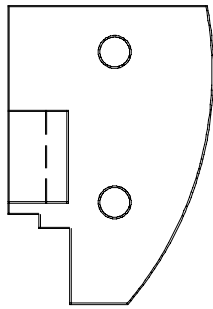
5 Header



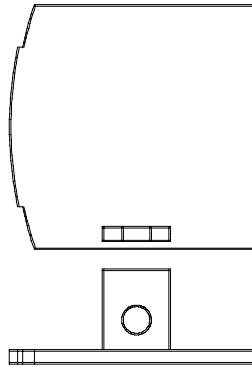
6 Track



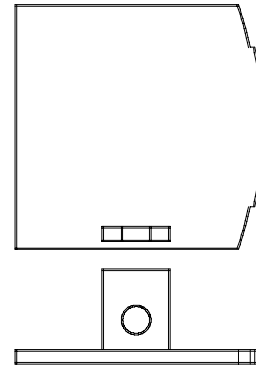
9 Header / Track End Cap "A"



10 Header / Track End Cap "B"



11 Panel Upright End Cap "A"



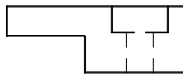
12 Panel Upright End Cap "B"



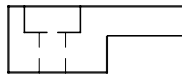
13 Door Seal Strip



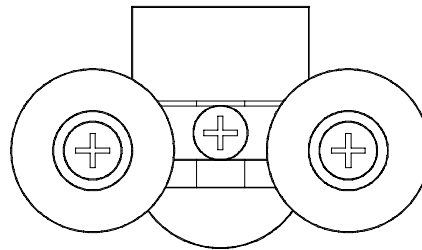
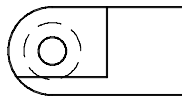
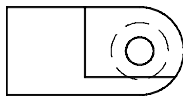
14 Glass Panel Spline



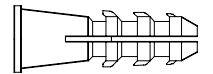
15 Glass Panel Clip "A"



16 Glass Panel Clip "B"

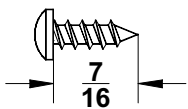


17 Double Roller Assembly

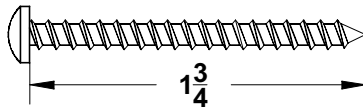


22 Wall Anchor

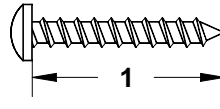
ASSEMBLY HARDWARE



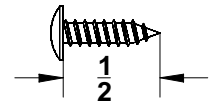
20 #7 x 7/16" Screw



21 #8 x 1 3/4" Screw



23 #8 x 1" Screw



24 #6 x 1/2" Screw

PREPARATION FOR BASE INSTALLATION

WARNING: SAFETY GLASSES SHOULD BE WORN AT ALL TIMES.

- A - Check local building codes before installing new drain pipe.
- B - The drain pipe should have approximate internal diameter of 2" and the outside diameter, should be 2 3/8" in order for the seal to fit snugly on the pipe and prevent leakage.
NOTE: If the outside diameter of the drain pipe is not 2 3/8", it will be necessary to purchase reducing fittings locally.
- C - The pipe should be plumb (straight up) and held firmly in place. The top of the pipe should be smooth and free of burrs or flare. Refer to instructions included in Drain Kit for pipe height.
- D - The walls adjacent to the shower must be square and vertical.
- E - The floor under the base must be level.
- F - The base must be able to be installed directly against the studs, not a finished wall.

BASE & DRAIN ROUGH-IN

1 FOR EXISTING CONSTRUCTION: In order to provide clearance for the Base to butt directly up against studding, Drywall / Plaster will need to be removed.

Draw *LAYOUT* lines on the walls, as shown in **SKETCH 1A**.

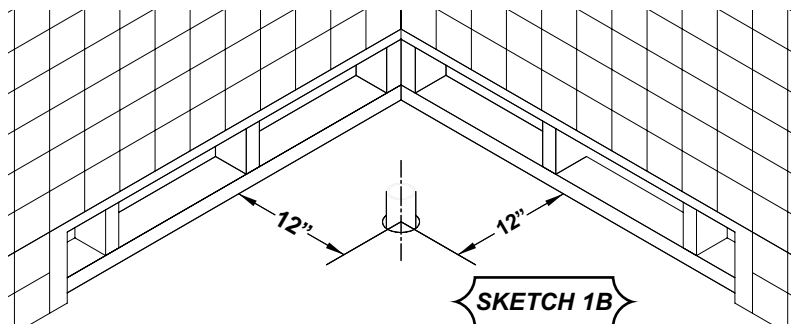
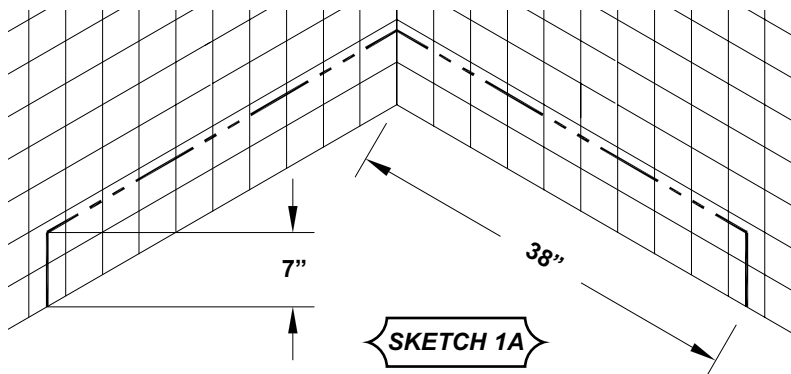
Please note, for tiled walls, it is recommended that the tiles in the Base *LAYOUT* area be removed and saved.

These will be needed after installation to fill gaps to either side of the Base and in front of the lip of Base.

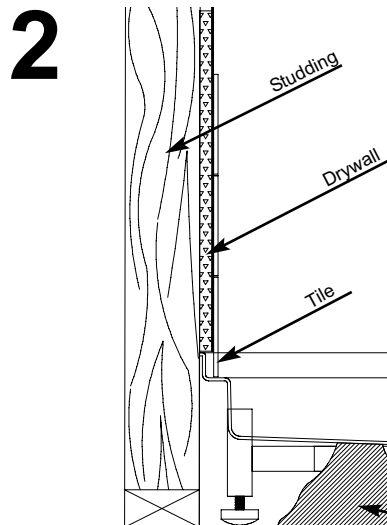
Please note, if a separate Wall Surround unit is also being installed, additional Drywall / Plaster / Tiles may also need to be removed.

The Drain pipe is to be located at 12" centers from each stud wall, as shown in **SKETCH 1B**.

Refer to the instructions included with the Drain Kit for pipe height and Drain installation procedures.



Make sure that the Base is directly against the studs, as shown in **SKETCH 2A**.



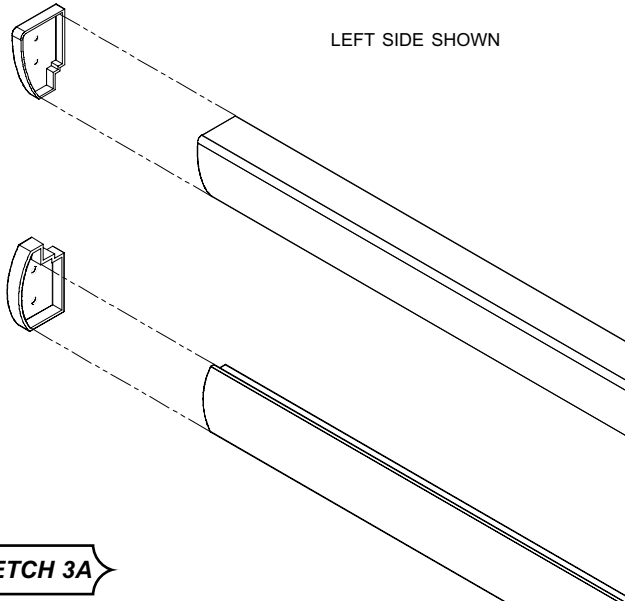
At this time, it is very important to make sure that the Base is level and properly supported. To compensate for any irregularities in your floor, adjust the screw adjusting legs to the correct position underneath the Base making sure the base is level.

For a more stable installation, it is suggested that the Base be nestled in a bed of mortar-type material.

Please note: If you are installing the shower unit over tiled walls, the tiled wall must be finished to the BASE LEDGE, covering the Lip of Base, as shown before continuing installation.

SKETCH 2A

3



LEFT SIDE SHOWN

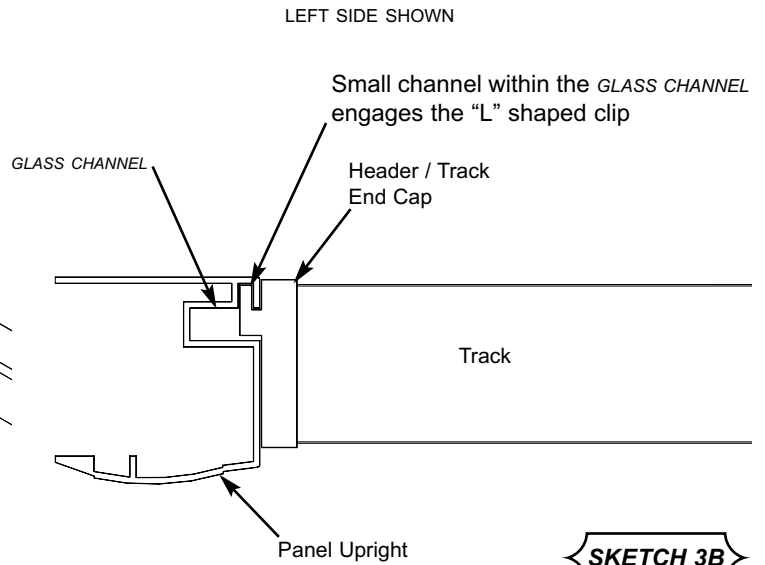
SKETCH 3A

Assemble frame as shown. This step will require two people.

First, snap Header/Track End Caps onto both ends of the Header and Track, as shown in **SKETCH 3A**.

Then, lay Track on the floor and slip Panel Upright down so that the small channel within the glass channel engages the "L" shaped clip, as shown in **SKETCH 3B**.

The two holes in the Panel Upright should line up with the holes in the end of the Track.



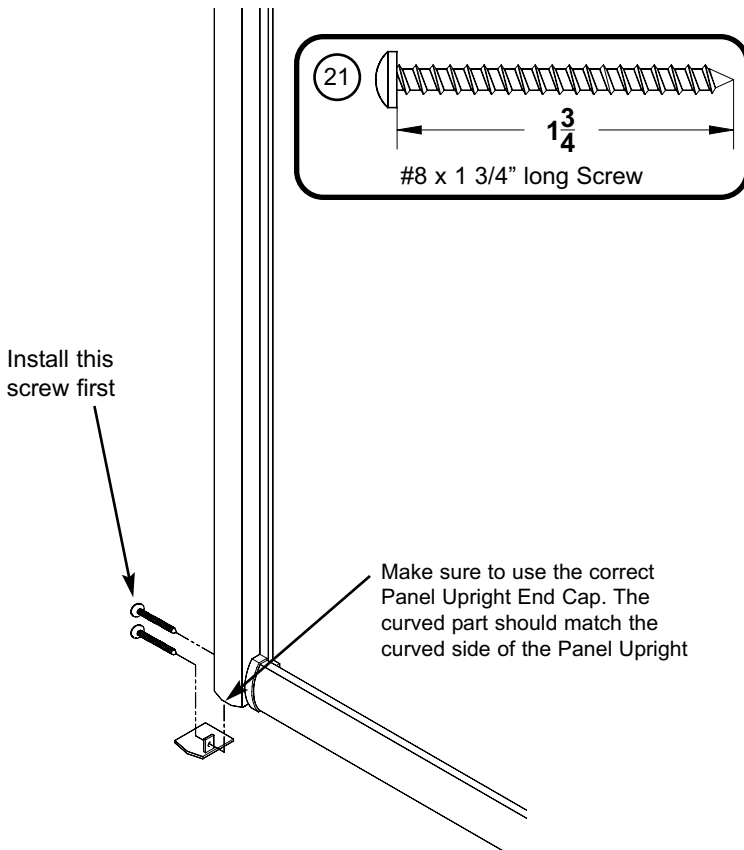
LEFT SIDE SHOWN

SKETCH 3B

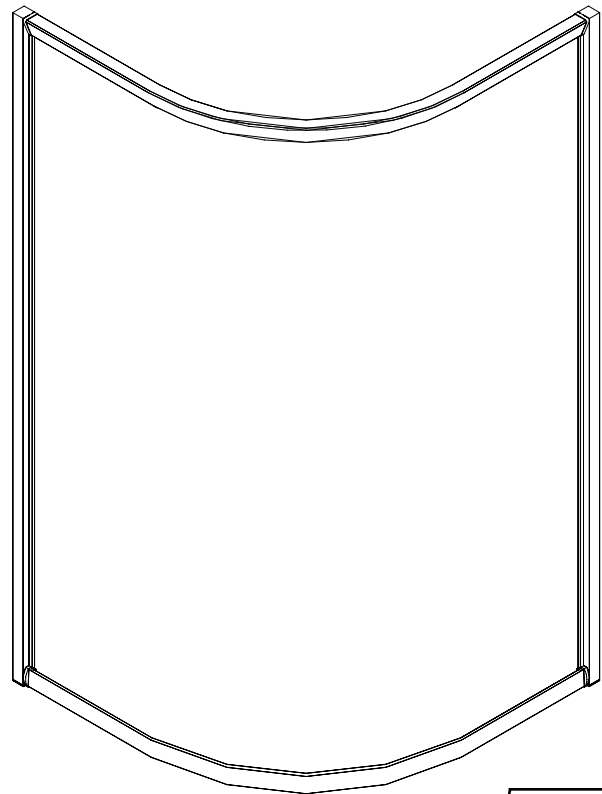
Secure the Track and the Panel Upright End Cap to the Panel Upright with the #8 x 1 3/4" long Screws, as shown in **SKETCH 3C**. **Please note:** Install the Screw in the second hole first. Then, with a second person supporting the frame, lift the Panel Upright and snap the Panel Upright End Cap on the end of the Panel Upright.

Insert second screw through the hole in the Panel Upright End Cap and install into hole in Track. Fully tighten both screws.

Follow procedure for the other end of the Track and both ends of the Header to assemble frame, as shown in **SKETCH 3D**.

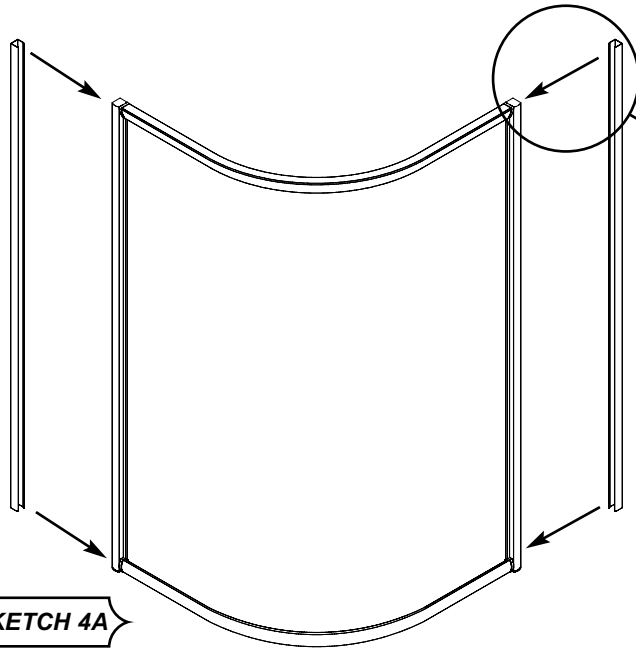


SKETCH 3C

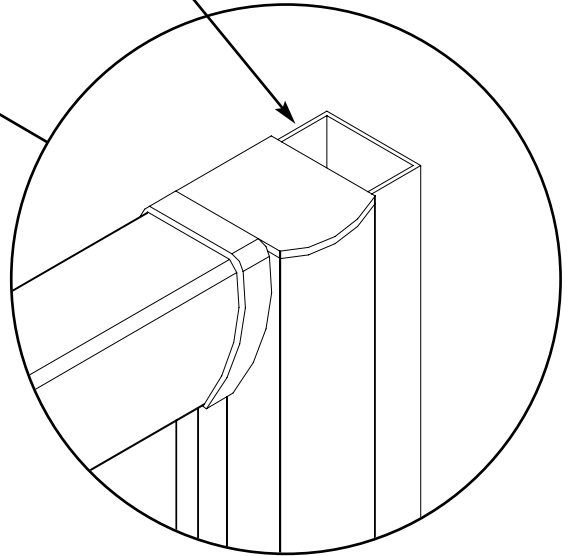


SKETCH 3D

4



Insert Wall Channel halfway into Panel Upright



SKETCH 4A

Insert Wall Channels approximately halfway into Panel Uprights, as shown in **SKETCH 4A**.

Lift frame assembly and place onto the Base. Center the frame from left to right, as shown in **SKETCH 4B**. The Track should sit on the centerline of the Base Threshold, as shown.

Please note, when positioning the frame on the Base, the Wall Channels may be forced further into the Panel Uprights.

While one person holds the shower frame in place, the other should ensure that the Wall Channels are in contact the wall. If necessary, they may be pulled further from the Panel Upright.

Use a level to plumb the Wall Channels and draw a pencil line on the inside of the Wall Channel to mark its position on the wall, as shown in **SKETCH 4C**.

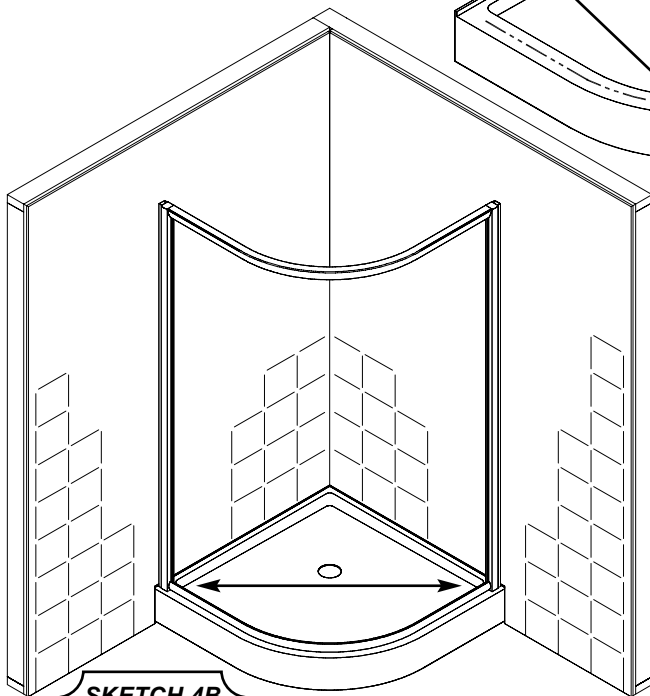
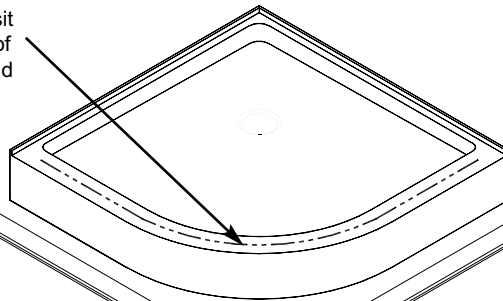
Please note, it is also very important to mark the bottom locations of the Wall Channels.

When replacing the Wall Channels to the wall, there must be a gap between the bottoms of the Wall Channels and the Base Threshold large enough for the Panel Upright End Caps to slide under.

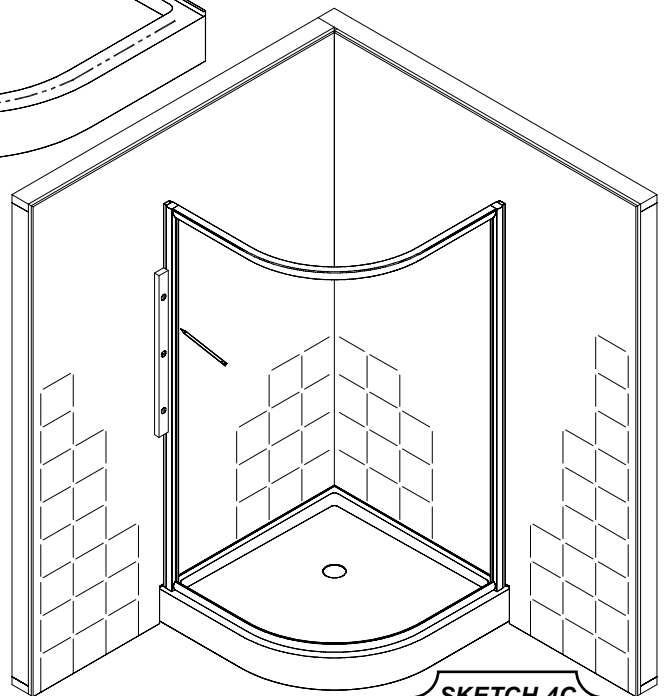
Repeat for other side.

Remove shower unit from the Base and remove Wall Channels from the Panel Uprights.

Track should sit on centerline of Base Threshold

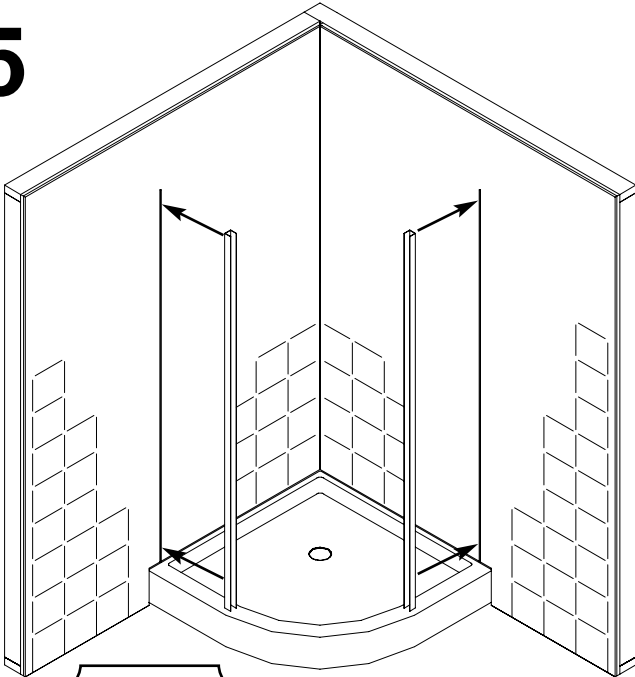


SKETCH 4B

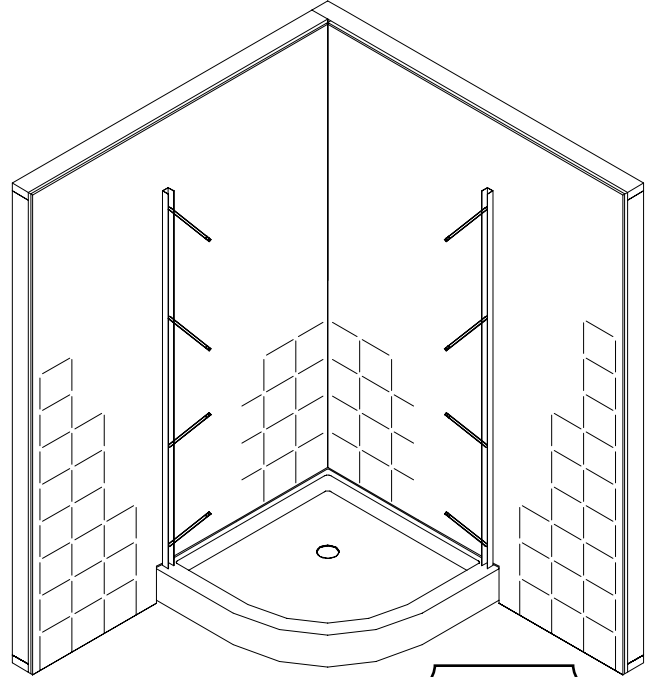


SKETCH 4C

5



SKETCH 5A



SKETCH 5B

Place Wall Channels back on wall in their previously marked locations. The inside edges of the Wall Channel should line up with the pencil line, as shown in **SKETCH 5A**.

Take special care to line up the bottom of the Wall Channel to the mark made in the previous step.

Please note, if placed correctly, there should be a 3/32" gap between the bottoms of the Wall Channels and the Base allowing room for the Panel Upright End Caps A & B to slide under.

Using a pencil, mark all of the mounting hole locations, as shown in **SKETCH 5B**.

Remove Wall Channels and drill holes at each mounting hole

location, as shown in **SKETCH 5C**.

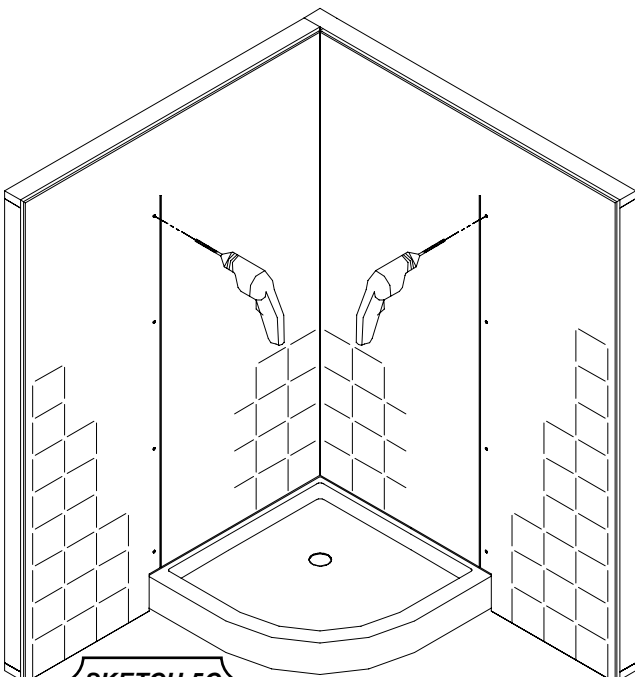
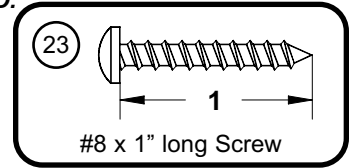
When mounting to ceramic tile, use a 1/4" masonry drill bit.

Nick the ceramic tile surface at the mounting hole locations with a center punch. After drilling, insert Wall Anchors.

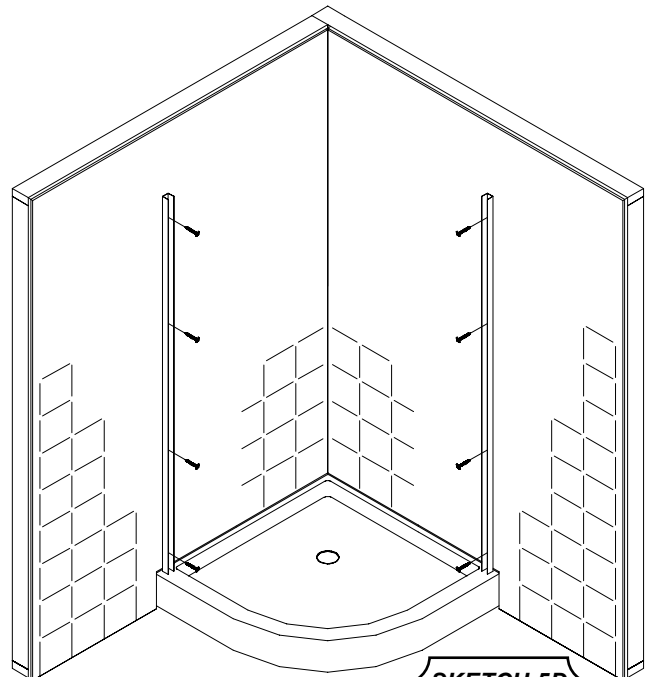
When mounting to a fiberglass enclosure, use a 1/8" drill bit.

Wall Anchors are not required.

Replace Wall Channels and secure to walls with #8 x 1" long Screws, as shown in **SKETCH 5D**.

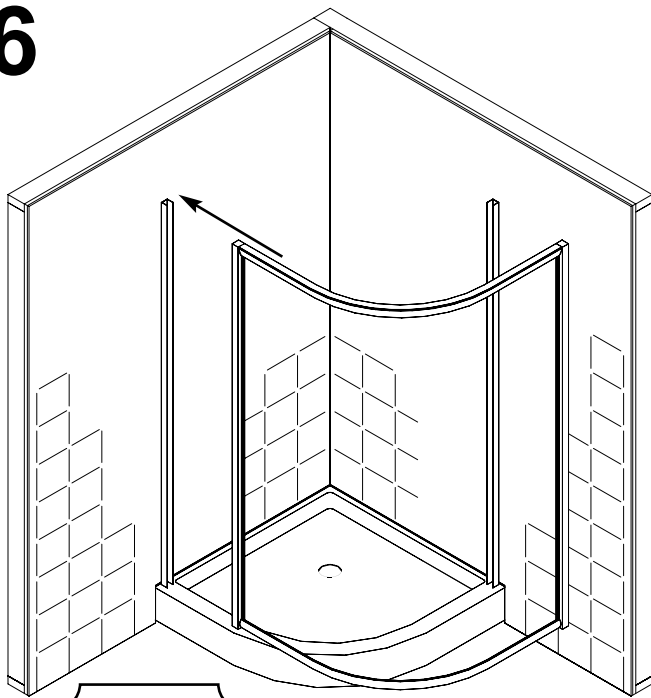


SKETCH 5C



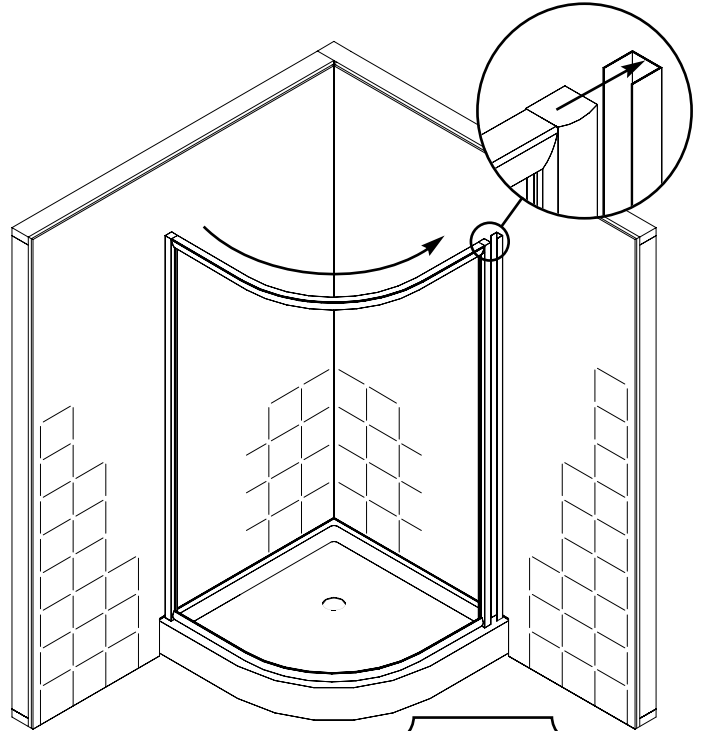
SKETCH 5D

6



SKETCH 6A

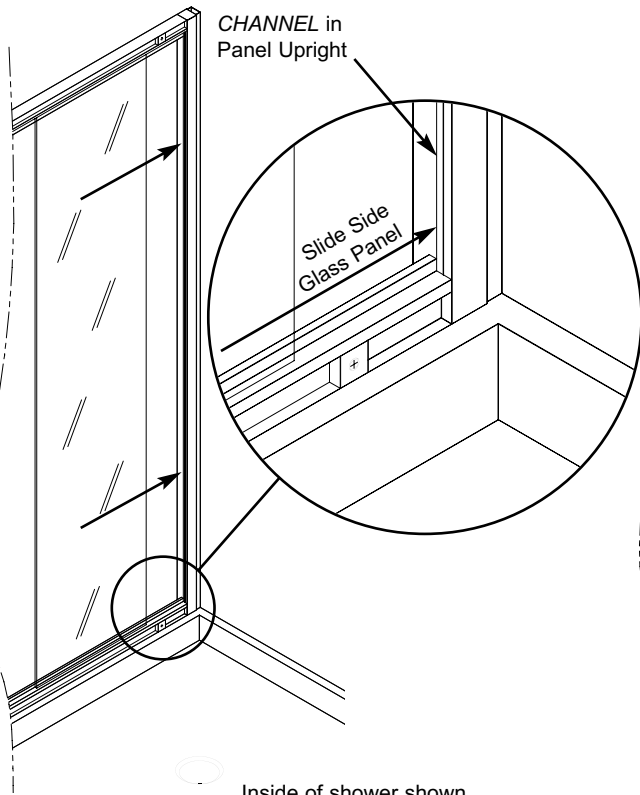
Lift and maneuver the unit so that one Panel Upright engages the Wall Channel, as shown in **SKETCH 6A**.



SKETCH 6B

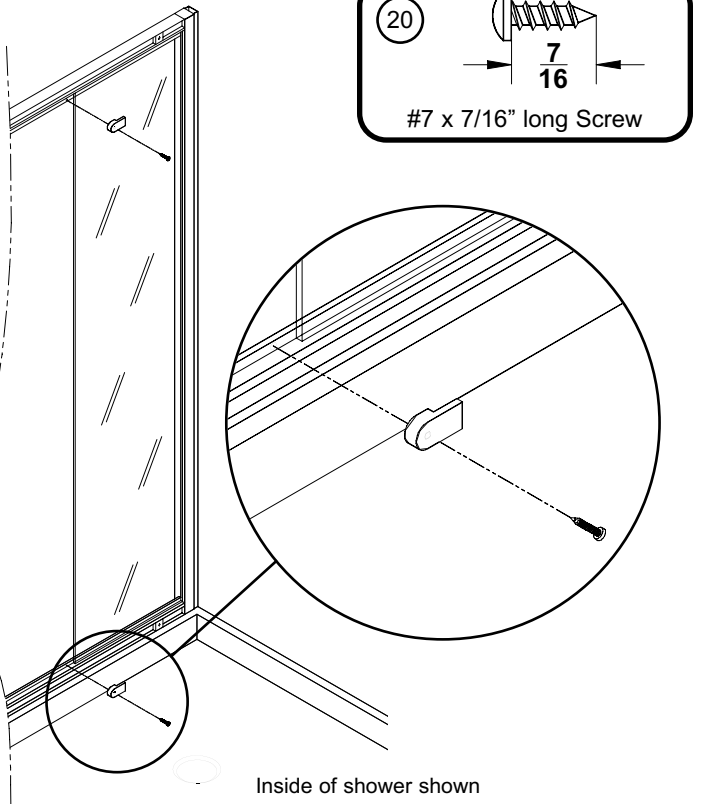
Then rotate it until the other Panel Upright engages the opposite Wall Channel, as shown in **SKETCH 6B**. Center the shower on the base.

7



SKETCH 7A

Insert a Side Glass Panel into the *GLASS CHANNEL* in the Panel Upright, as shown in **SKETCH 7A**. The Side Glass Panel will sit on a shelf on the Track.

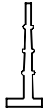


SKETCH 7A

Secure the Side Glass Panel into place with Glass Panel Clips "A" & "B" and #7 x7/16" Screws, as shown in **SKETCH 7B**. Repeat procedure for Side Glass Panel on other side.

8

Wider side
towards glass

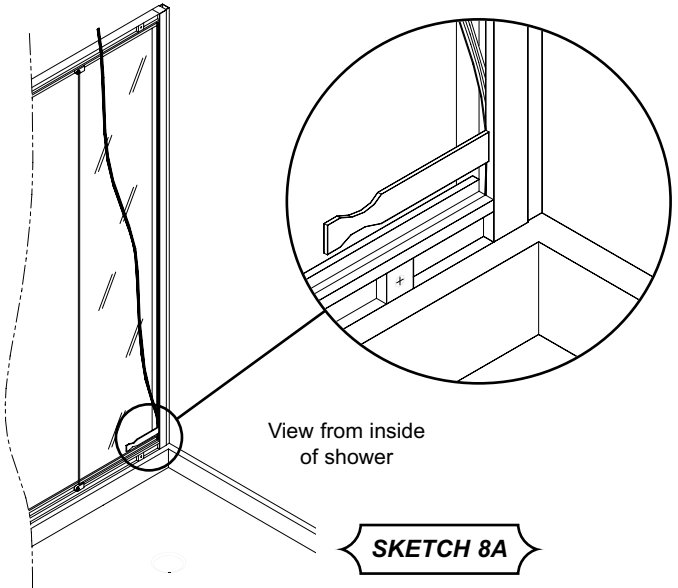


Working from inside of the shower, install Glass Panel Spline, as shown in **SKETCH 8A**.

Starting from the bottom of the Side Glass Panel, use a flat, blunt instrument such as a paint stirrer to press the Glass Panel Spline between the glass and the CHANNEL in the Panel Upright.

In order to install the Glass Panel Spline properly, make sure to keep the wider side towards the glass. Cut excess at top.

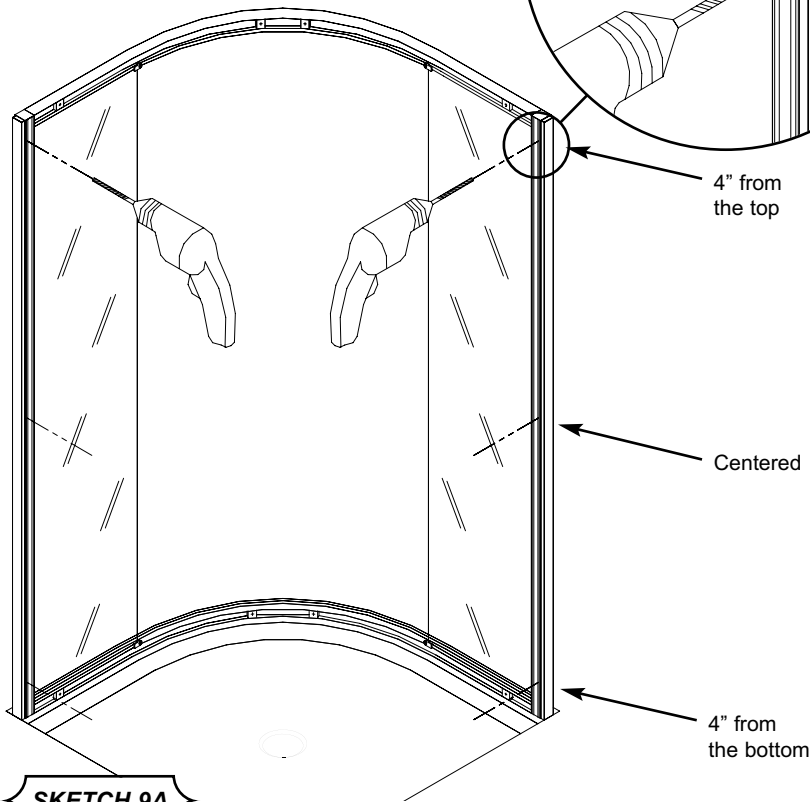
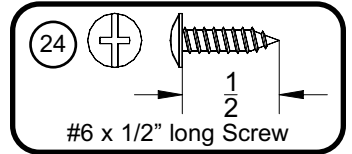
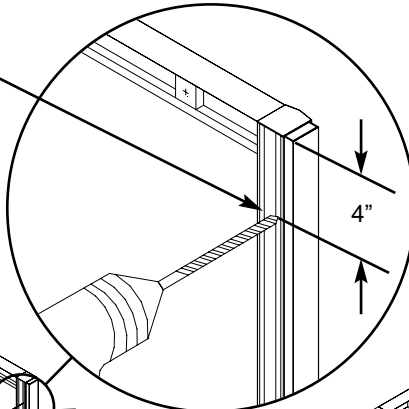
Repeat procedure for other side.



SKETCH 8A

9

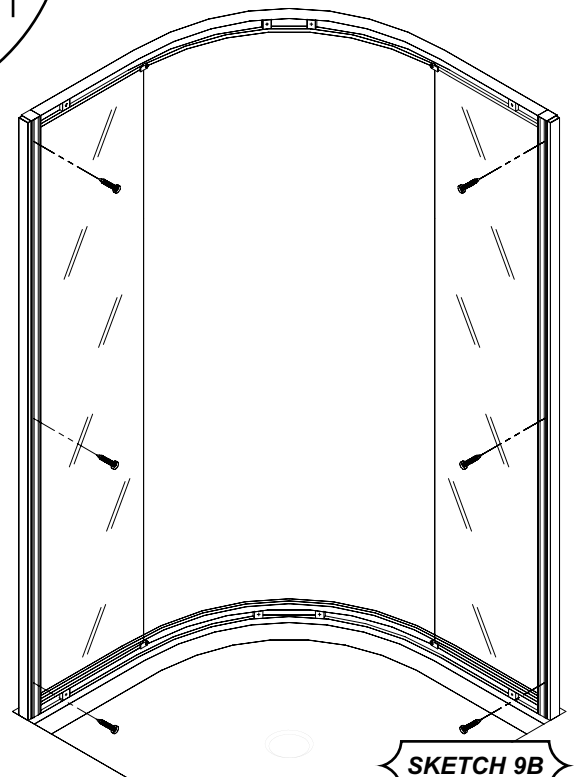
Drill holes through the indented channel closest to the wall



SKETCH 9A

Make sure that the shower unit is centered on the Base Threshold. Also make sure the the Track is sitting flat and even on the Base.

With the 3/32\"/>



SKETCH 9B

The holes should be drilled through the first indented channel in the Panel Upright, as shown.

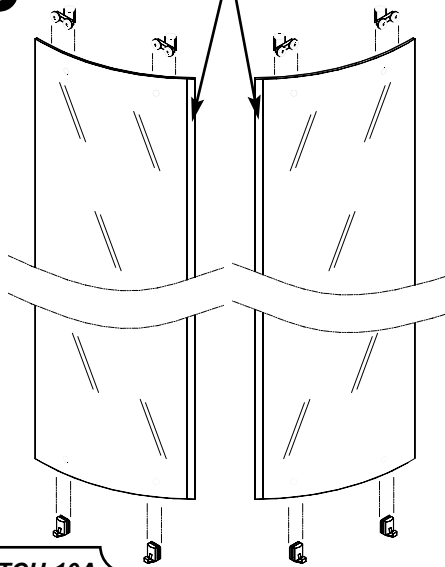
The holes should be located in the center and approximately 4\"/>

Secure the shower to the Wall Channels with #6 x 1/2\"/>

10

Aluminum Magnetic Edge Jamb
facing each other

Rollers and Clips go on
outside of curved glass



SKETCH 10A

Stand Sliding Door Panels next to each other so that the Aluminum Magnetic Edge Jambos face each other.

Please note: If Magnetic Strips are not pre-installed in Edge Jambos, please install now according to the instructions contained in Magnetic Strip Installation Parts Bag.

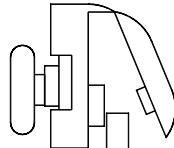
Install Double Roller and Spring Clip Assemblies on Sliding Door Panels, as shown in **SKETCH 10A**.

Please note, Rollers and Clips go on outside of the curved glass.

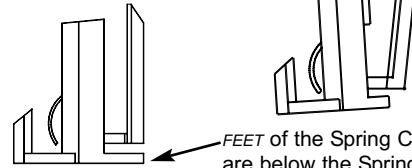
Install Double Roller Assemblies at the tops of both Sliding Door Panels, as shown in **SKETCH 10B**.

Remove Screw (if installed), open up Roller Assembly and slide over top of door until it engages hole in glass. Insert and tighten Roller Assembly screw.

Do not install Roller Assembly screw covers at this time.



SKETCH 10B



FEET of the Spring Clip Front
are below the Spring Clip Back

SKETCH 10C

Turn Sliding Door Panels over and install Spring Clips, as shown in **SKETCH 10C**.

Referring to the schematic of the Spring Clip Assembly on the Parts List page, partially assemble the Spring Clip.

Insert the Spring into the Spring Clip Back and install Spring Clip Front over Spring Clip Back.

Compress Spring Clip slightly so that the *FEET* of the Spring Clip Front are below the Spring Clip Back, as shown.

Pry open assembly and push onto bottom of glass panels until they engage the holes in the glass. Release assembly and install screw. Do not overtighten.

Please note, the Spring Clip should compress and release easily. If it does not, loosen the screw slightly.

Do not install Spring Clip Covers at this time.

11

Install the Sliding Door Panels, as shown in **SKETCH 11A**.

Tip the bottom of the Door forward so that the Spring Clip catches the *GUIDE GROOVE* in the Track, as shown.

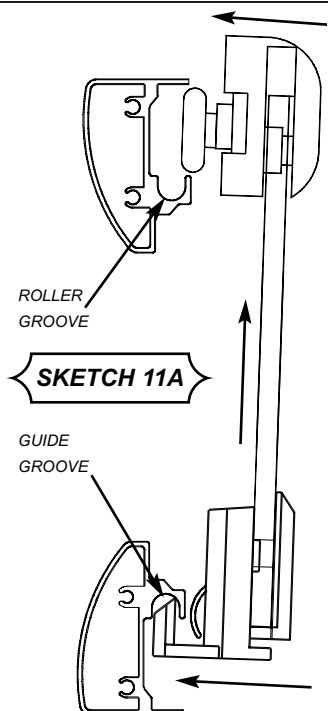
Lift the Door and tilt it forward until the Rollers engage the *ROLLER GROOVE* in the Header. Repeat for other Sliding Door Panel.

Close doors so that the Magnet Strips are touching in order to see if any adjustment is necessary. The tops of the Doors should be even and there should be an even gap where the Doors come together.

If the Doors need adjusting, raise or lower, one or both Roller Assemblies using the Adjustment Screw.

Please note: When the Door Panels are properly adjusted, the Roller and the Spring Clip will make contact with the Bumpers in the Header and Track at the same time.

After the Doors are properly adjusted, install the screw covers into the backs of the Double Rollers and slide the Spring Clip Covers down over the Spring Clip Backs.



ROLLER
GROOVE

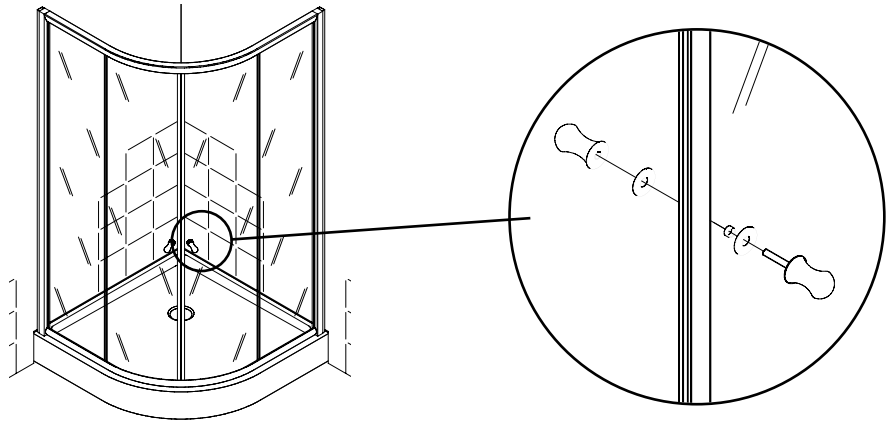
GUIDE
GROOVE

SKETCH 11A

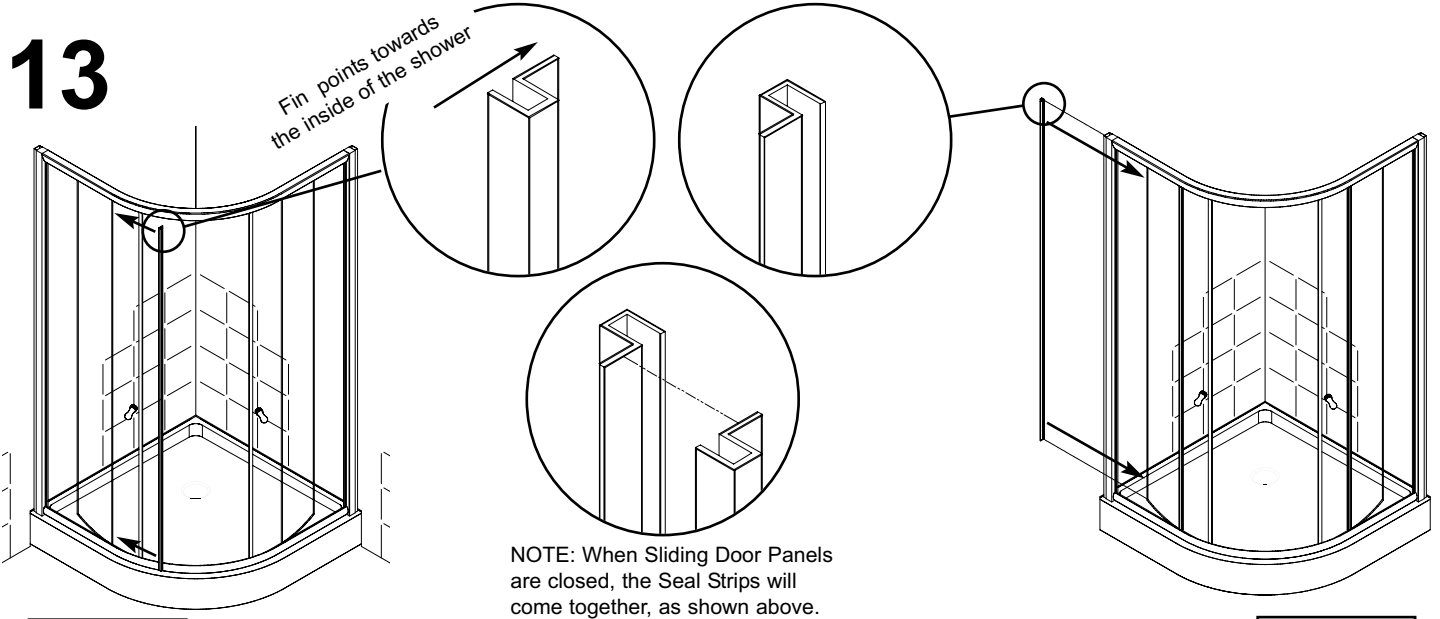
12

Install both Door Pulls, as shown.

Please Note: The shape of your Door Pull may differ.



13



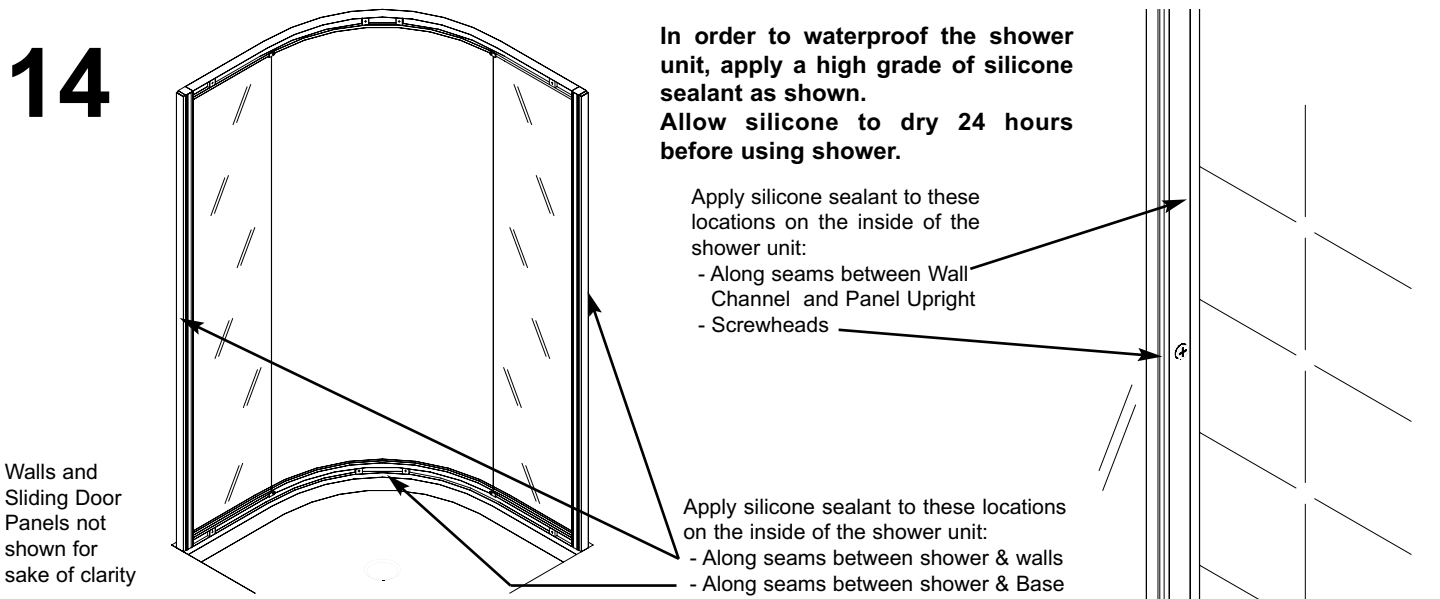
SKETCH 13A

SKETCH 13B

With Sliding Doors completely open, install Seal Strip on to the edge of stationary glass panel, as shown in **SKETCH 13A**. Cut to size. Please note, the fin of the Seal Strip should be pointing towards the inside of the shower, as shown. Repeat for other stationary glass panel.

Install a Seal Strip on the back edge of the Sliding Door Panels, as shown in **SKETCH 13B**. Cut to size. Please note, the fin of the Seal Strip should be pointing away from the inside of the shower, as shown. Repeat for other Sliding Door Panel.

14



Walls and Sliding Door Panels not shown for sake of clarity

In order to waterproof the shower unit, apply a high grade of silicone sealant as shown. Allow silicone to dry 24 hours before using shower.

Apply silicone sealant to these locations on the inside of the shower unit:

- Along seams between Wall Channel and Panel Upright
- Screwheads

Apply silicone sealant to these locations on the inside of the shower unit:

- Along seams between shower & walls
- Along seams between shower & Base