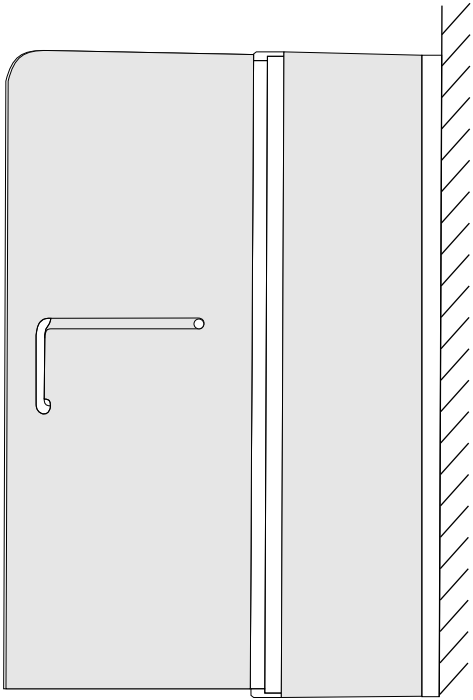
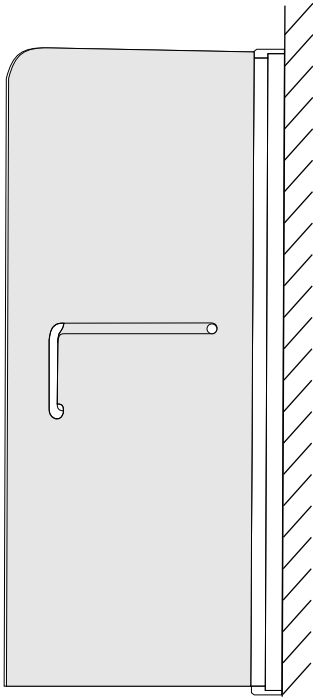


INSTALLATION MANUAL



PF-03



PF-04

