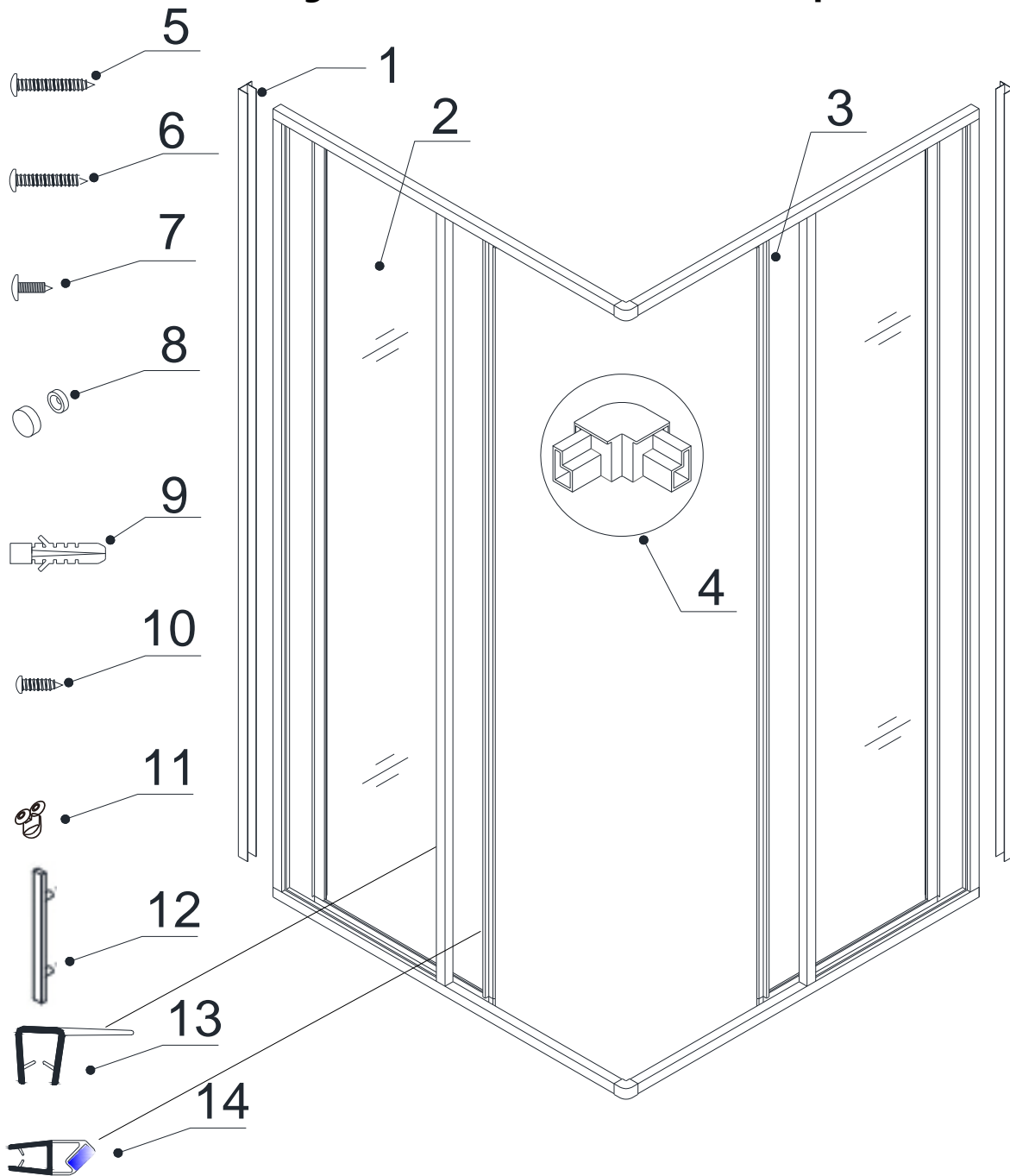


Detailed Diagram of Shower Enclosure Components



Packing List

01	Wall profile	2pcs	07	Screw ST4x25	8pcs
02	Stationary glass assembly	2pcs	08	Decorative cover	12sets
03	Glass door	2pcs	09	Wall anchor	8pcs
04	Rail connector	2pcs	10	Small round head screw ST4x2	4pcs
05	Screw ST4x30	8pcs	11	Door wheel	8pcs
06	Big round head screw ST4x12	4pcs	12	Handle	2pcs
14	Magnetic strip	1pair	13	Anti-water strip	4pcs

NOTE: Unpack your unit carefully and inspect it. Lay it out and identify all parts using parts diagram and part list in your manual as a reference. Before discarding the carton, check for small hardware bags that tend to fall to the bottom of the box. If any parts are damaged or missing, please contact DreamLine™ for replacement.

NOTE: Retain these installation instructions for future reference.

Shower Enclosure Installation

NOTICE:

The shower enclosure has to be installed against the finished walls and installed shower base or threshold.

1. Draw the line on the wall according to your Shower Enclosure model size.

Place the **Wall profiles (01)** onto the Shower base or threshold against the finished wall and level it vertically.

See Fig. 1 for details.

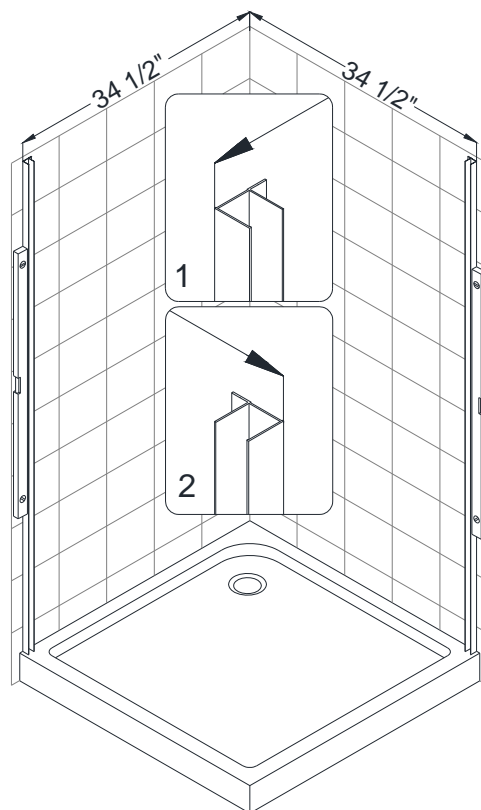


Fig. 1

2. Mark the drilling holes on the wall through the predrilled holes in the **Wall profile (01)** and drill the holes in the wall using $\text{Ø}5/16''$ drill bit and insert the **Wall anchor (09)**.

Run a silicone bead along the holes and around the holes on the wall.

Attach the **Wall profile** to the wall using **screw ST4×30 (05)**.

Cover the exposed screw heads with the **Decorative covers (08)**.

Repeat this process both sides.

See Fig. 2 for details.

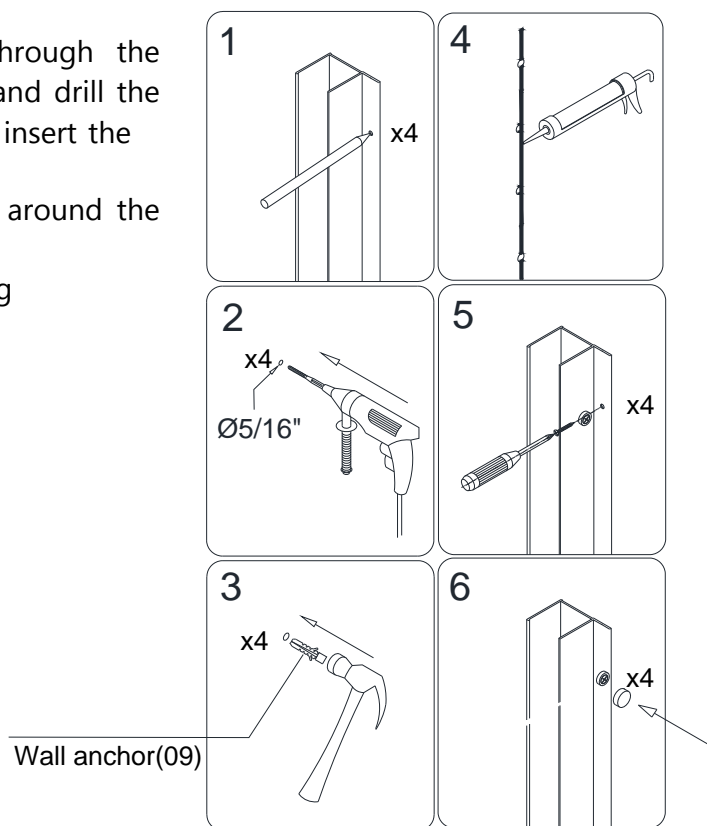


Fig. 2

3. Insert the **Rail connector (04)** into the guide rails of the **Stationary glass assembly (02)**. Drill the hole into the first wall of the **Rail connector** through predrilled hole on the guide rails using **Ø1/8"** drill bit. Fasten top and bottom **Rail connectors** to the guide rails with **Big round head screw ST4×12 screws (06)**

See Fig. 3 and Fig. 4 for details.

NOTE:

To prevent braking down the Rail connector, do not overtight the screws.

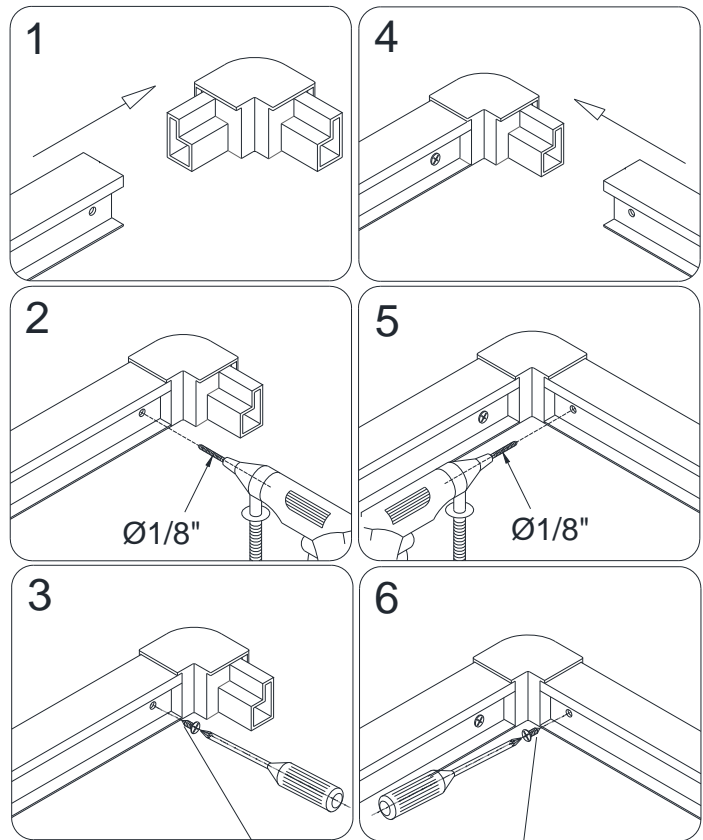
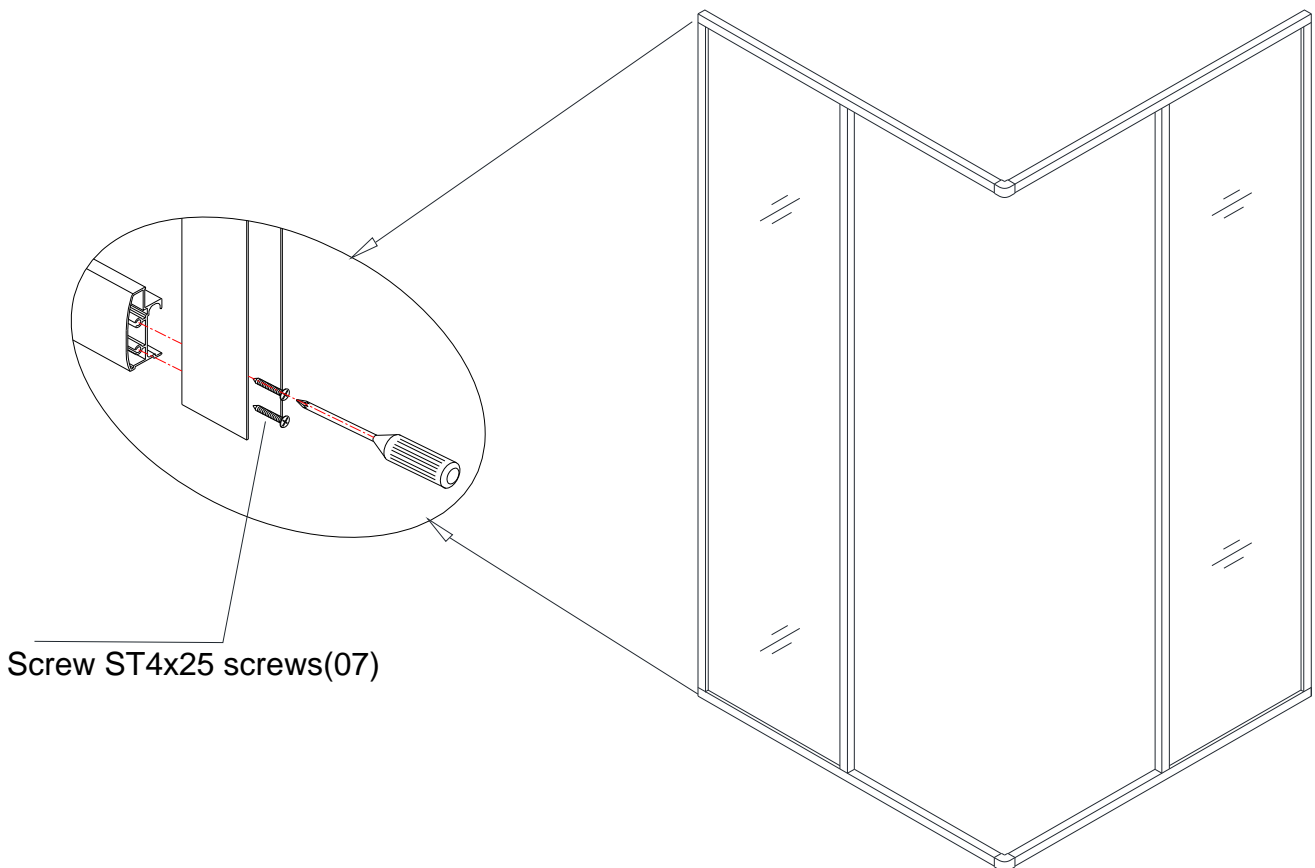


Fig. 3

Big round head screw ST4x12 screws(06)

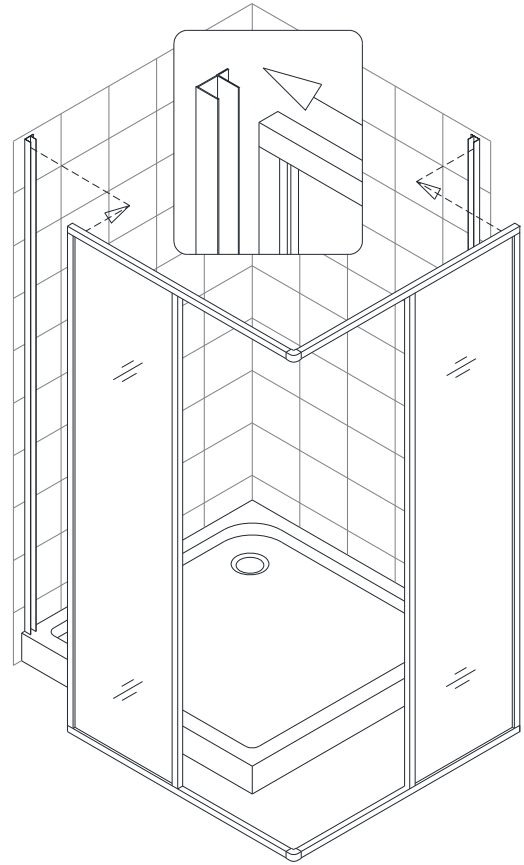


Screw ST4x25 screws(07)

Fig. 4

- Carefully carry the assembled **Stationary glass panels (02)** onto the Shower base and insert side edges into the **Wall profiles (01)**.

See Fig. 5 for details.



and fasten ^{the} them together with
Bolts M5×8 (10)

Fig. 5

- Insert two **Door wheels (11)** into the groove of the upper guide rail, then suspend the **Glass door (03)** onto the **Wheels**.

See Fig. 6 and Fig. 7 for details.

Repeat the same step for the bottom guide rail.

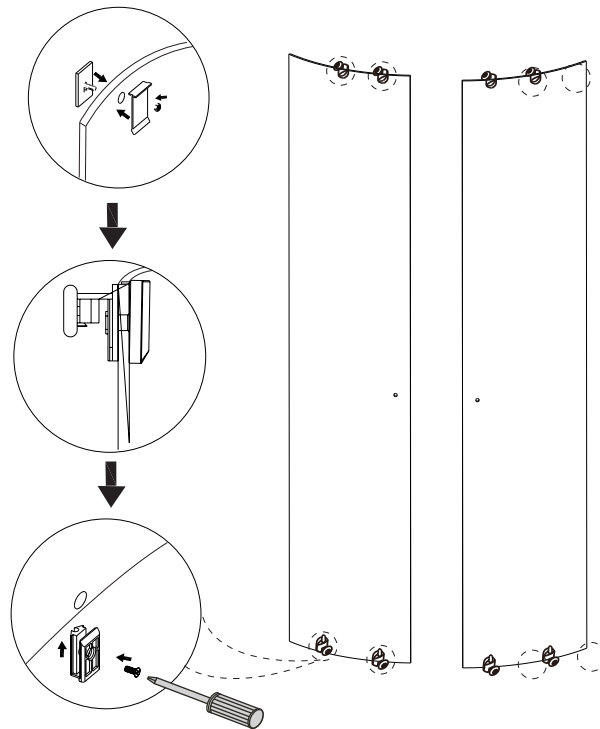


Fig. 6

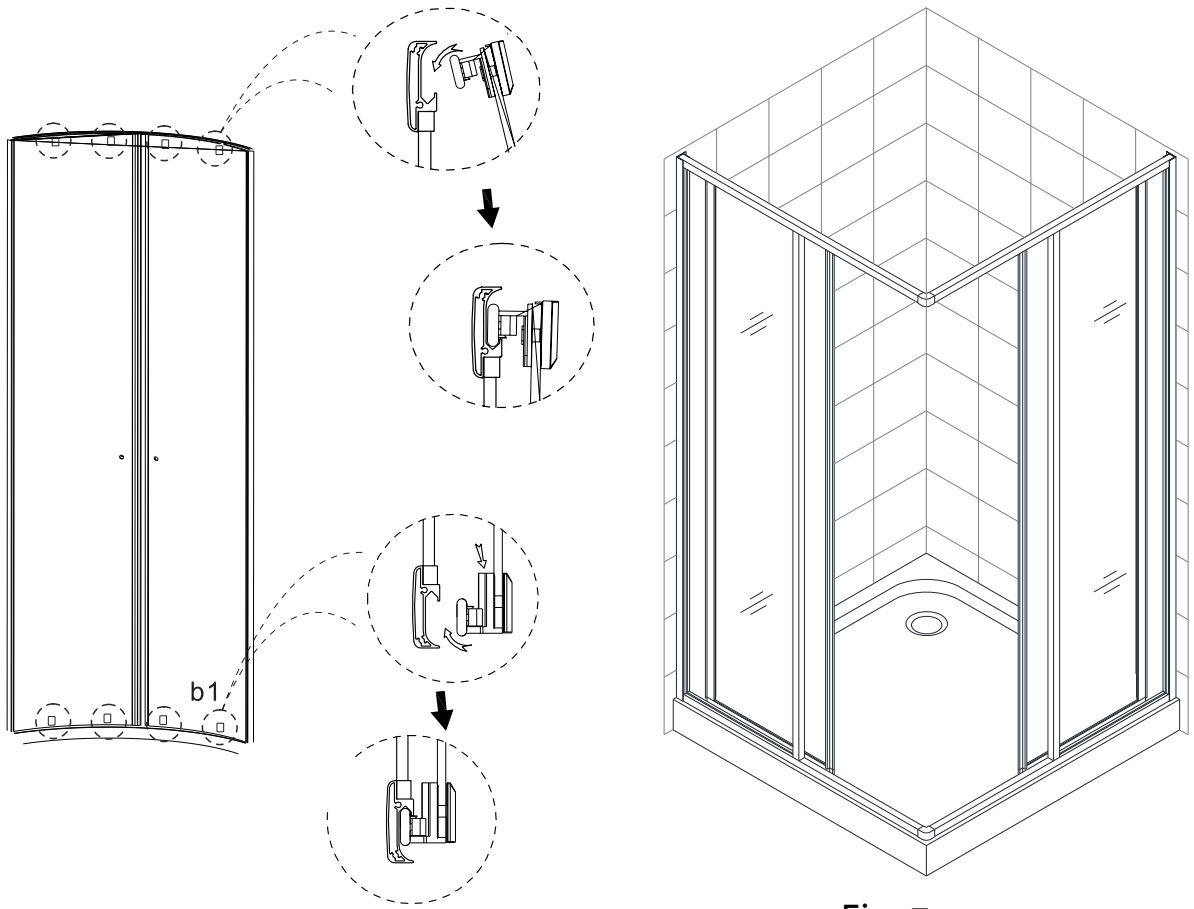


Fig. 7

6. Adjust the **Glass doors (03)** if it necessary.

Do the final adjustments of the assembled unit in the **Wall profiles (01)**. Drill the holes from inside the shower into the first layer of the **Wall Profile** and the **Glass profile** using $\text{Ø}1/8''$ drill bit.

ATTENTION:

Do not drill the profile throughout, only the first layer of the wall profile.

Secure the **Glass profile** to the **Wall profile** using the **Small round head screw ST4.2×10 (10)**

Cover the exposed screw heads with the **Decorative covers (08)**. Repeat this process both sides.

See Fig. 8 for details.

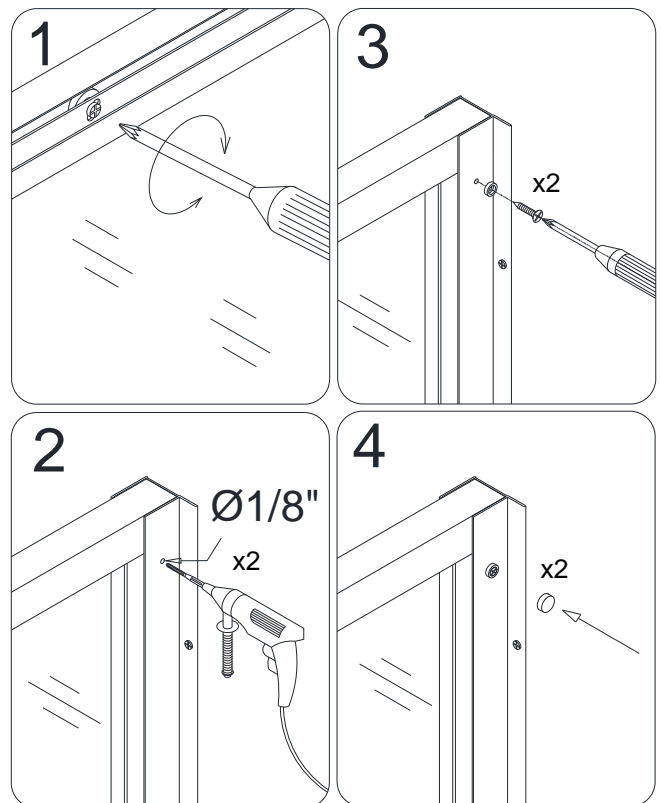
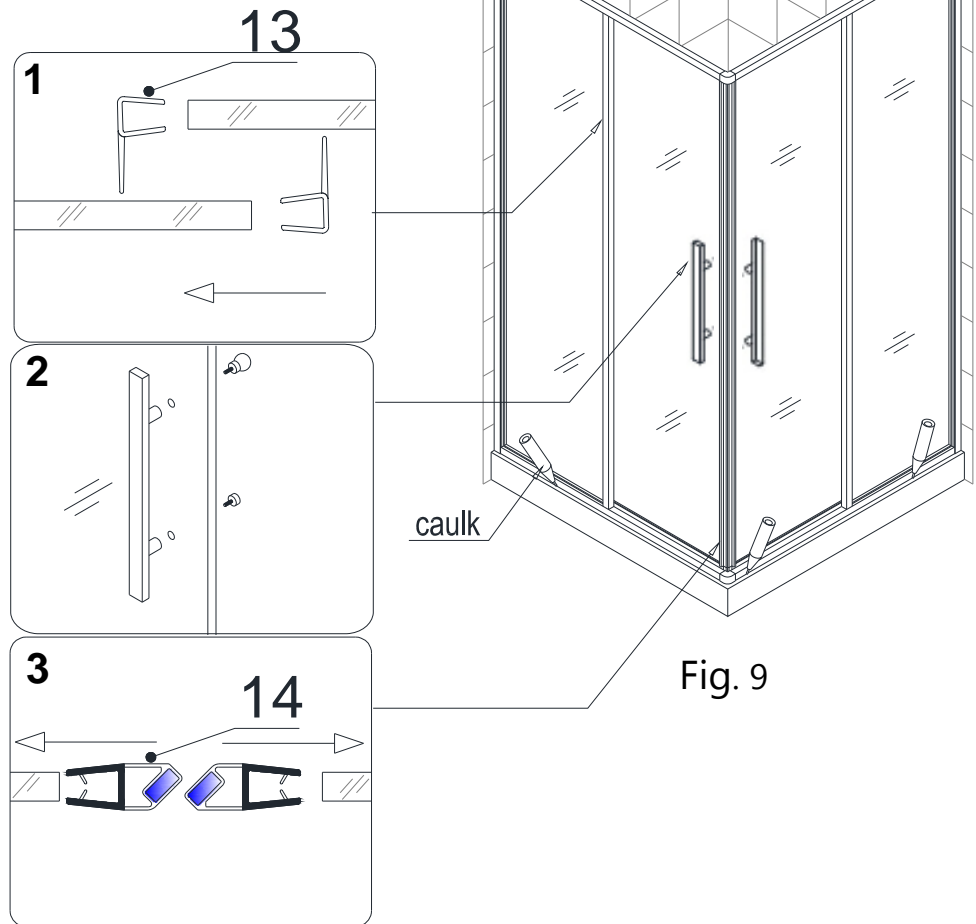


Fig. 8

7. Seal with silicone all the connections between the wall profiles and the wall, bottom guide rail and the shower base. Let the silicone dry for at least 24 hours before using the shower.

See fig. 9 for details.



8. Install the **Handles (12)** to the **Glass doors (03)**.
Press the **Anti-water strips (13)** on the vertical edges of the **Stationary glass assembly (02)** and both vertical edges of the **Glass doors**.
Press the **Magnetic strips (14)** on the vertical edges of both **Glass doors** for tight closing.

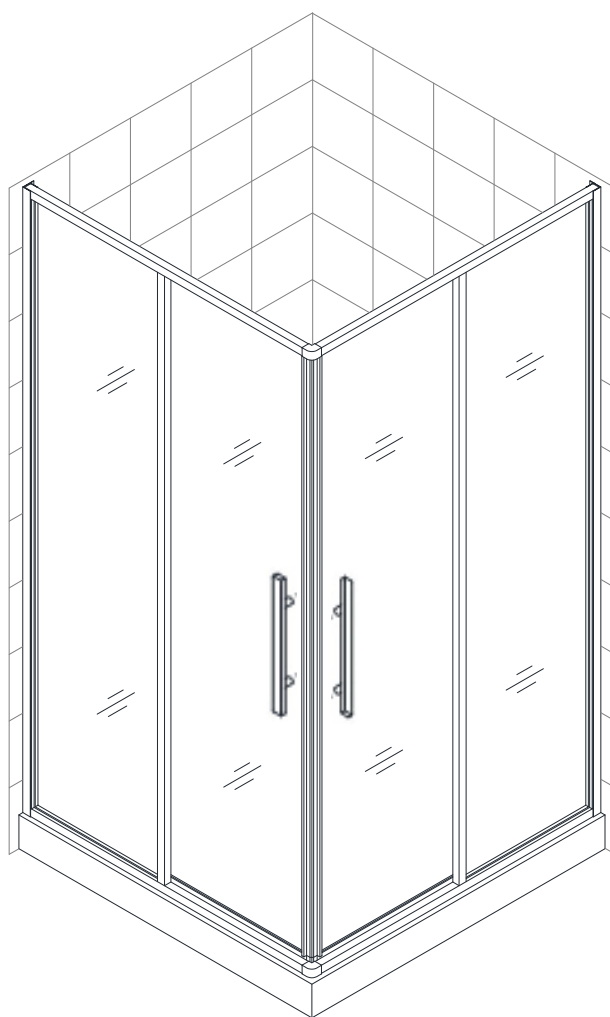
See Fig. 10 for details.

Maintenance

To insure long lasting life for your acrylic back walls, wipe them off after each use with a soft cloth. To clean the acrylic back walls use non-abrasive sprays or cream based cleaners. Never use abrasive cleansers, metal brushes or scrapers that could scratch or dull the surface.

To insure long lasting life for your glass shower products, wipe them off after each use with a soft cloth. Rinse and wipe of the glass using either soft cloth or squeegee to prevent soap buildup. Never use abrasive cleaners and cleaning products that contain scoring agent because this may scratch the surface. Never use bristle brushes or abrasive sponges.

SHOWER ENCLOSURE INSTALLATION INSTRUCTIONS



Preparation

1. After opening all boxes and packages, read this introduction carefully. Check that all of the needed parts are included in the package by marking all the components on the "Detailed Diagram of Shower Door Components". Examine boxes and packages for shipping damage. If the unit has been damaged, has a finishing defect, or has missing parts, please contact our customer support department within 5 business days of the delivery date. Please note that **DreamLine™ will not replace any damaged products or missing parts free of charge after 5 business days or if the product has been installed.** Feel free to contact DreamLine™ if you have any questions.
2. **Please note that you should consult your local building codes with questions on installation compliance standards. Building and plumbing codes may vary by location, and DreamLine is not responsible for code compliance standards for your project and will not accept any returns.**
3. Please ensure that prior to the installation the installation surface is leveled and solid and will be able to support the total weight of the unit. Also make sure the walls are at right angles. Irregular installation surface level or improper angle of side walls will result in serious problems for your installation. Please, note that some adjustments and drilling might be necessary during the installation process.
4. This unit has to be installed against a finished floor and walls.
5. **Please, NOTE! This door has 1/2" out-of-plumb adjustment on each side. Make sure your walls are at right angles.**

Tools Required

