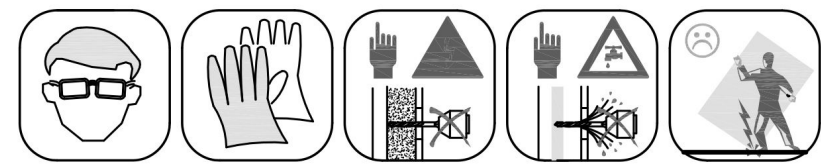
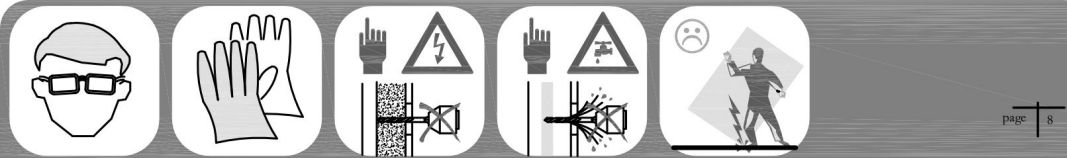


Instruction



Shower Enclosure
INDIANA

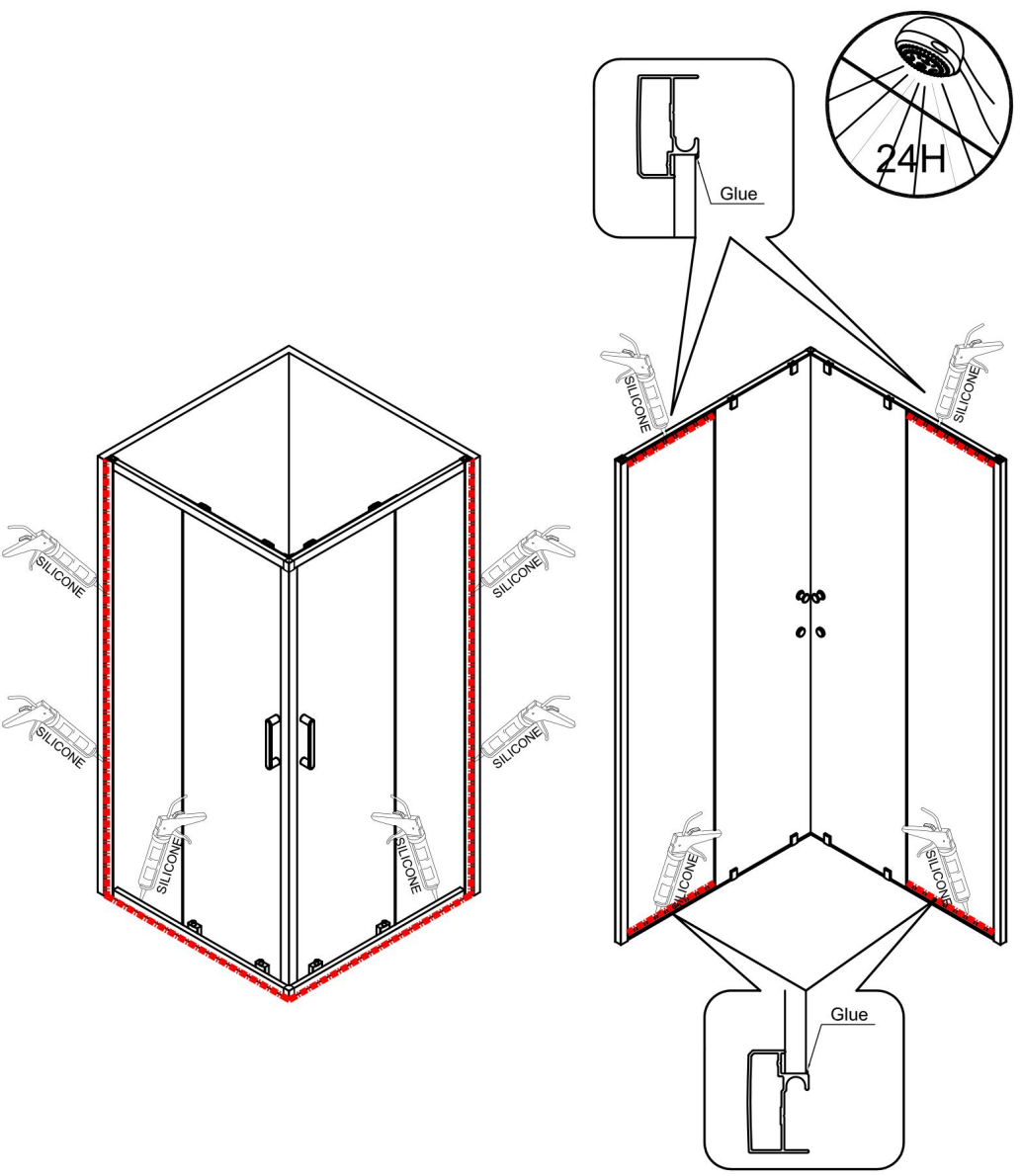


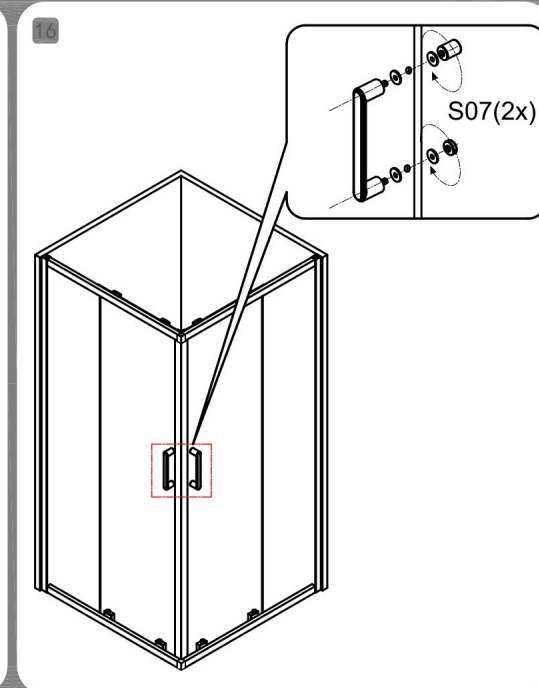
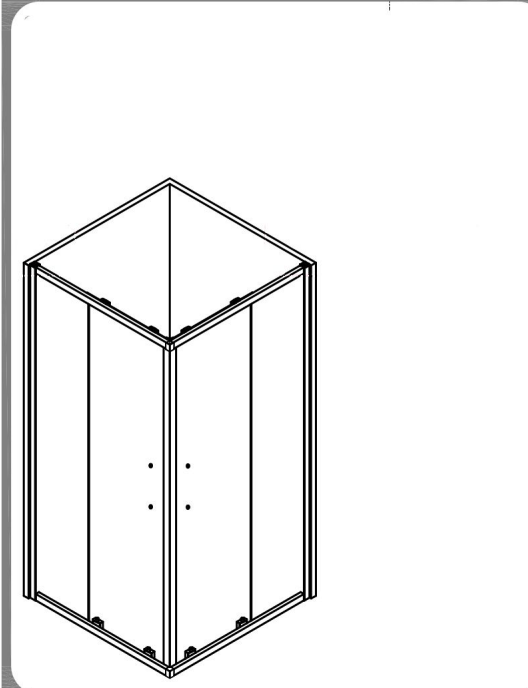
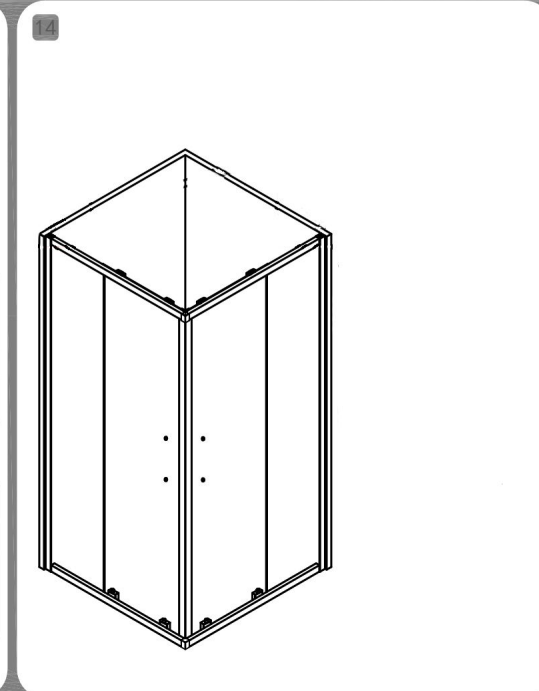
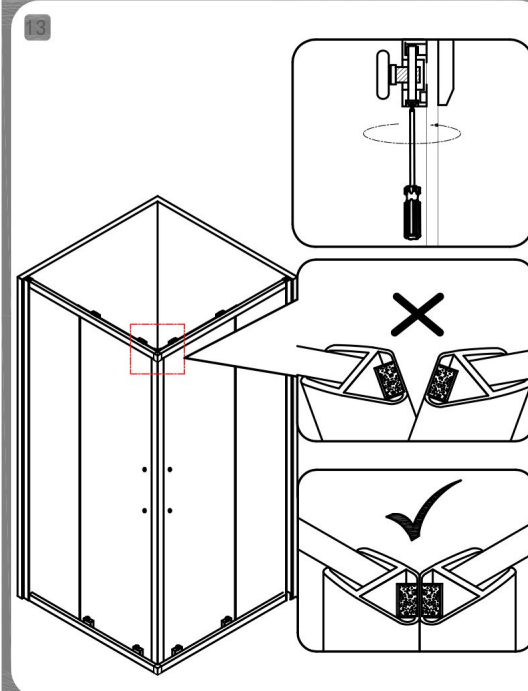
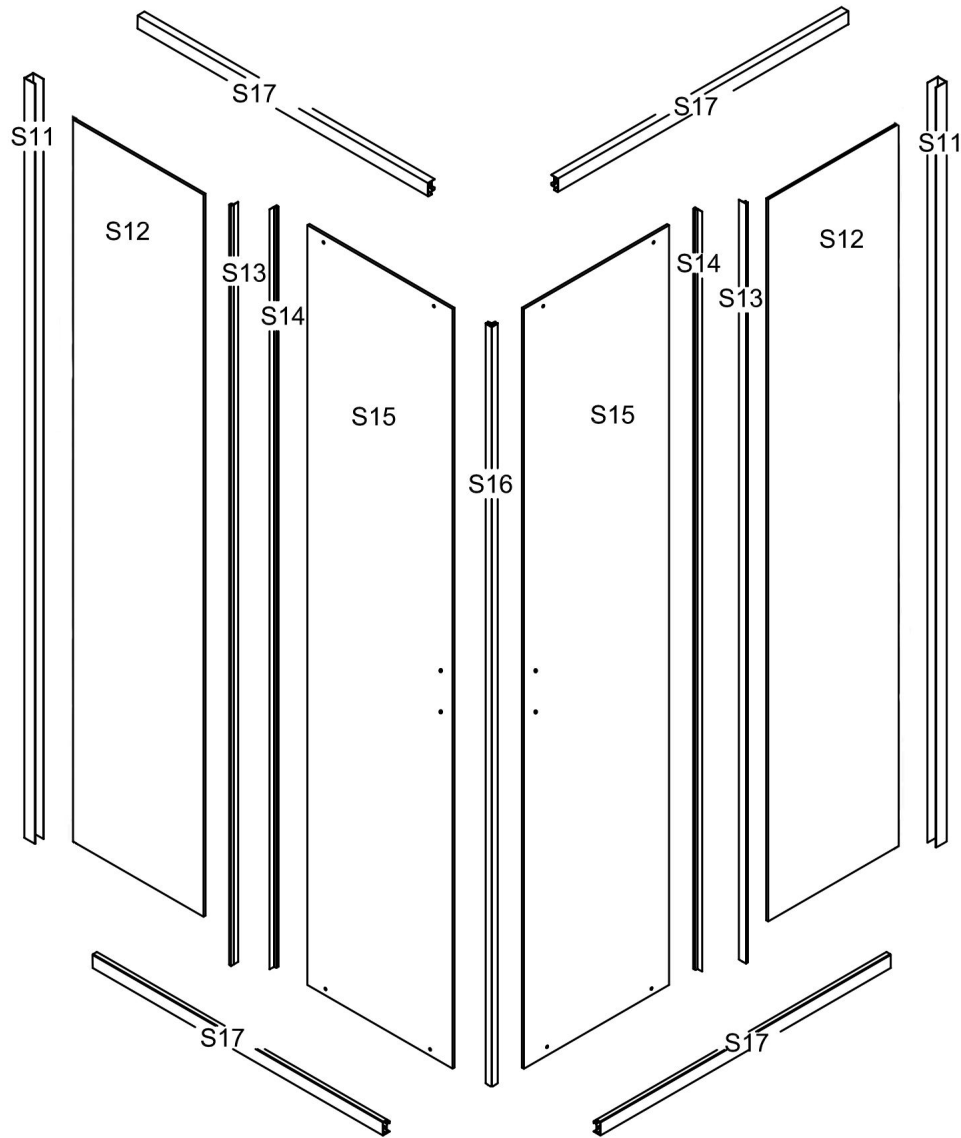
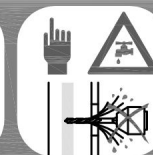
We appreciate your choosing of our shower products, and wish you a pleasant experience with our products and service. Please read Instruction carefully before installation.

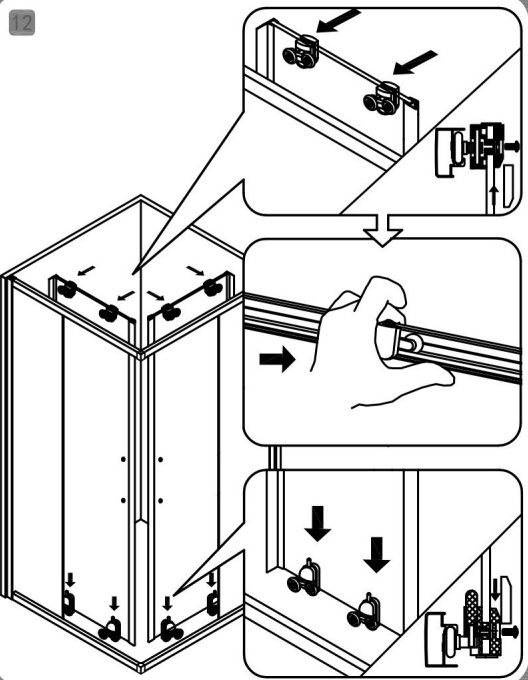
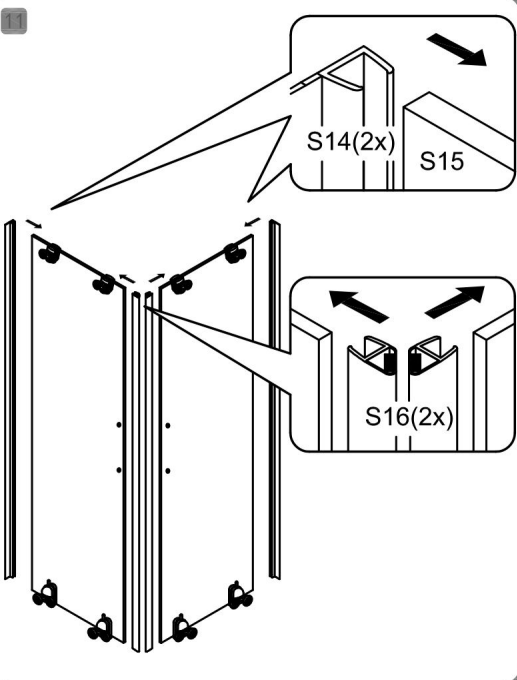
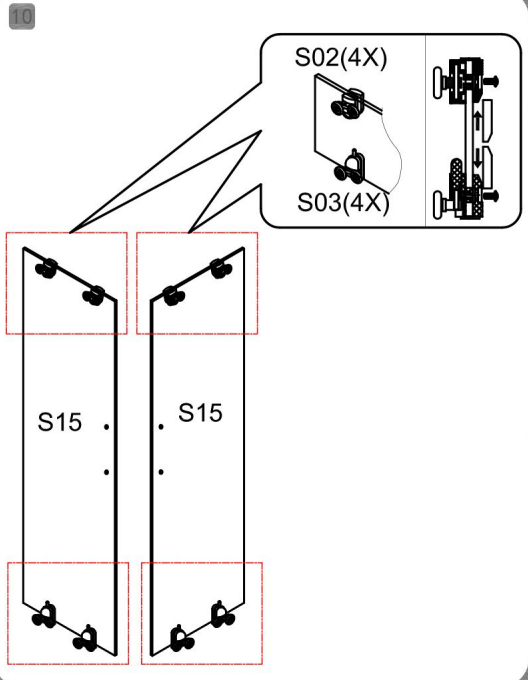
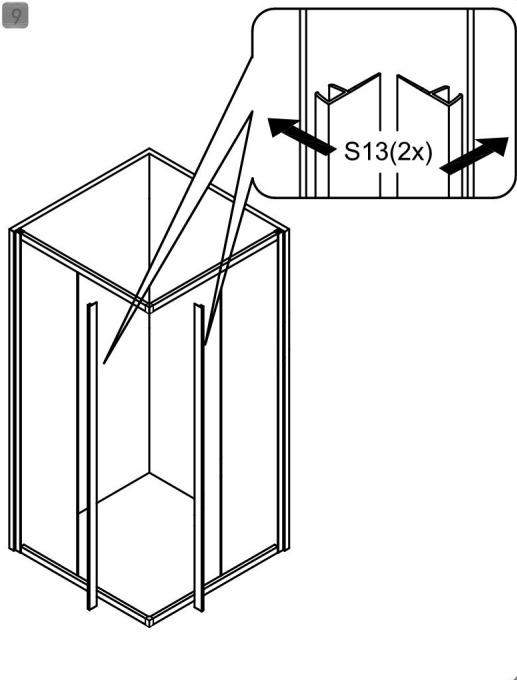
IMPORTANT




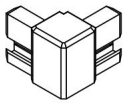

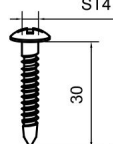
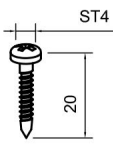

Please check the shower enclosure for transport damage and completeness before installation. Complaints made following installation cannot be accepted.

Please read carefully the following instructions before installing your shower enclosure to ensure safe and proper use and avoid any injury to either the installer or user .Failure to comply may invalidate your guarantee.







S01  4x	S02  4x	S03  4x	S05  2x
S07  2x	S08  6x	S09  2x	S10  6x

